

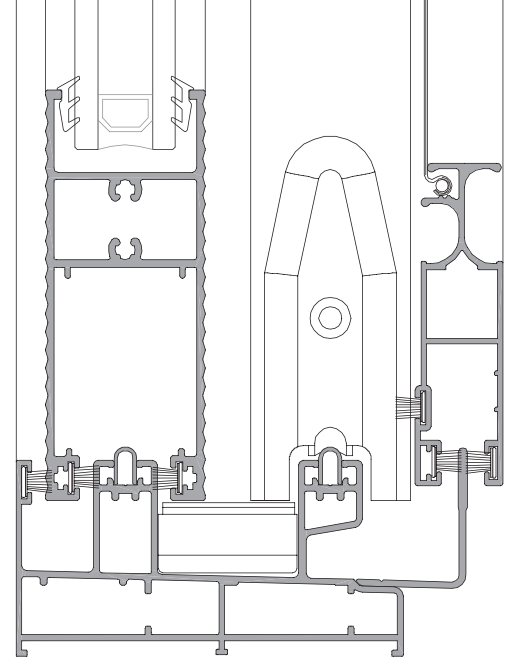


Sürme Sistem
Sliding System



S35

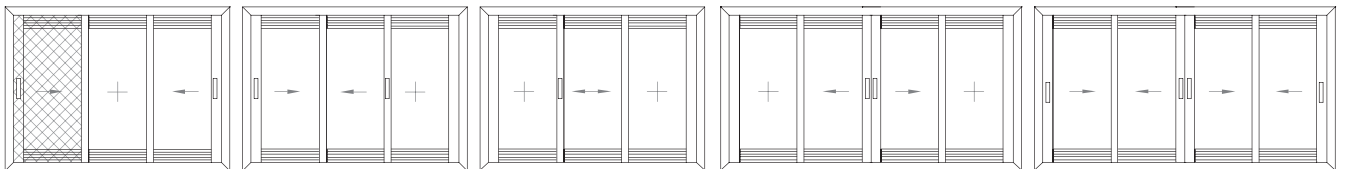
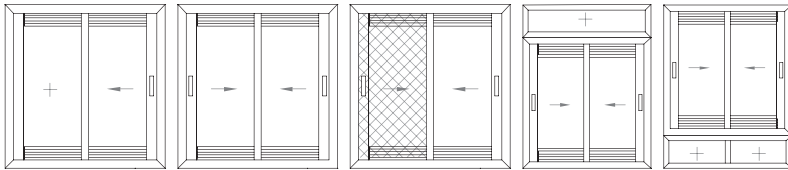




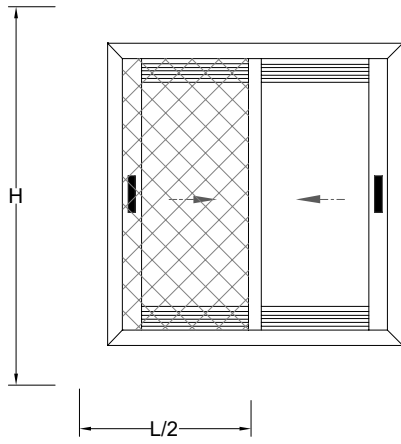
TEKNİK ÖZELLİKLER / TECHNICAL PROPERTIES

KASA DERİNLİĞİ / FRAME DEPTH	85 - 130 mm
KANAT DERİNLİĞİ / SASH DEPTH	35 mm
KENET DERİNLİĞİ / INTERLOCKING DEPTH	80 - 152 mm
PROFİL ET KALINLIĞI / PROFİLE WALL THICKNESS	1,3 - 1,5 mm
MİN. CAM KALINLIĞI / MIN. GLAZING THICKNESS	20 mm
MAKS. CAM KALINLIĞI / MAX. GLAZING THICKNESS	22 mm
MİN. KANAT ÖLÇÜLERİ / MIN. SASH DIMENSIONS	800 x 1900 mm
MAKS. KANAT ÖLÇÜLERİ / MAX. SASH DIMENSIONS	1600 x 2800 mm
MAKS. KANAT AĞIRLIĞI / MAX. SASH WEIGHT	160 kg

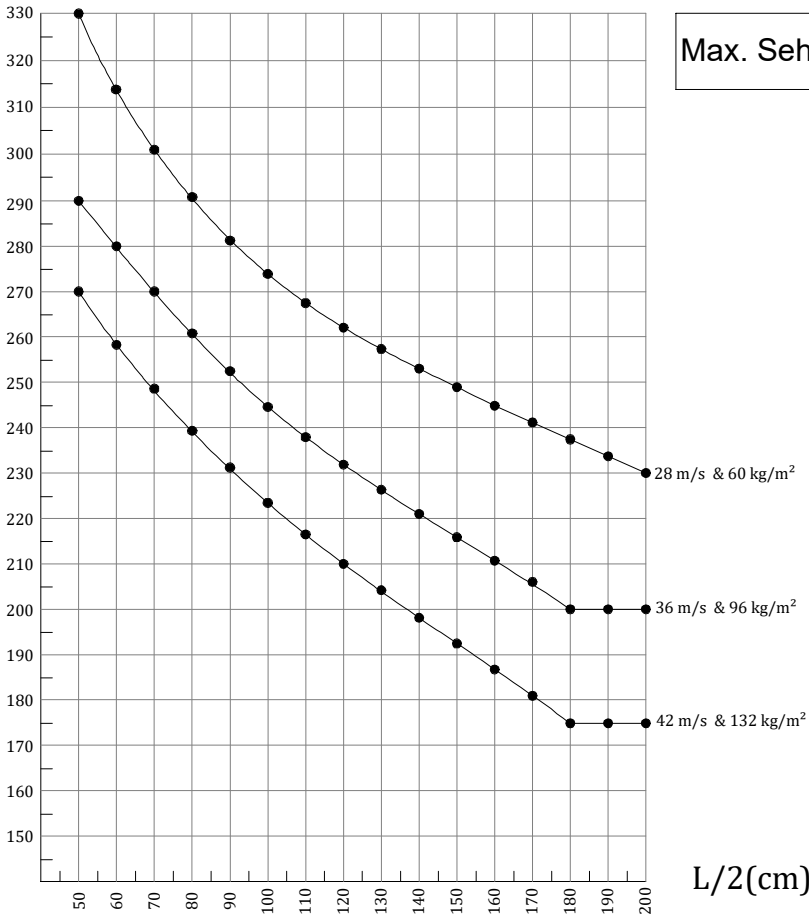
UYGULAMA SEÇENEKLERİ / APPLICATION OPTIONS



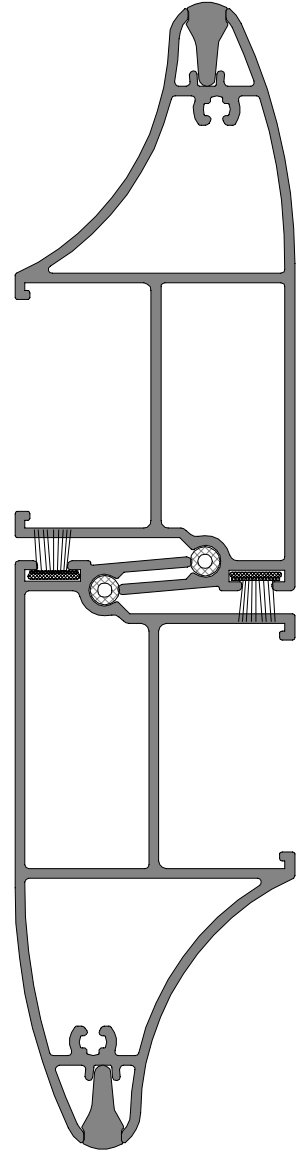
RÜZGAR YÜKÜNE GÖRE KULLANIM LİMİTLERİ GRAFİĞİ



H(cm)

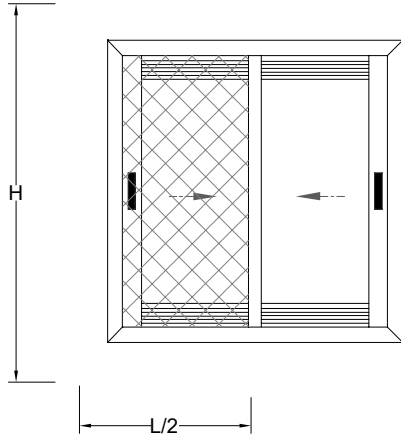


Max. Sehim : L / 300

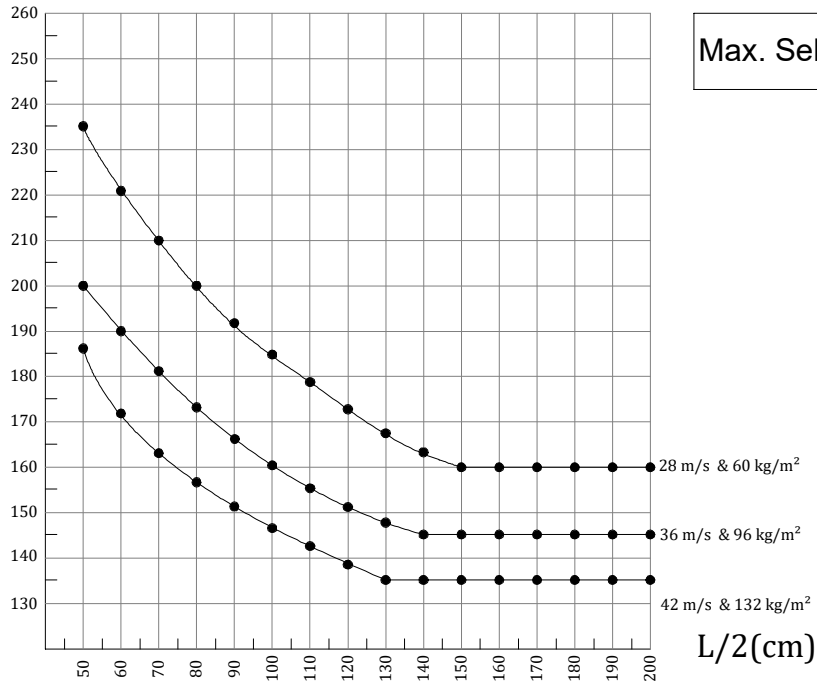


Jx : 40,02 cm⁴

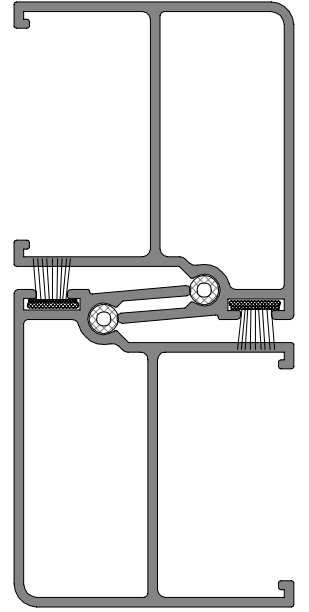
RÜZGAR YÜKÜNE GÖRE KULLANIM LİMİTLERİ GRAFİĞİ



H(cm)

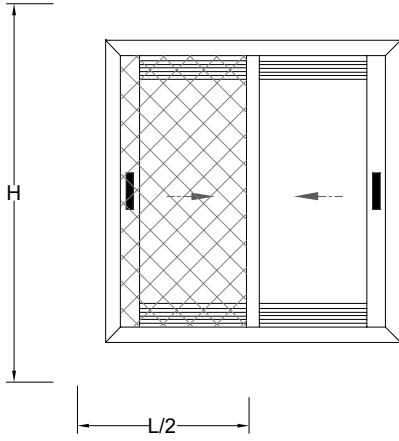


Max. Sehim : L / 300

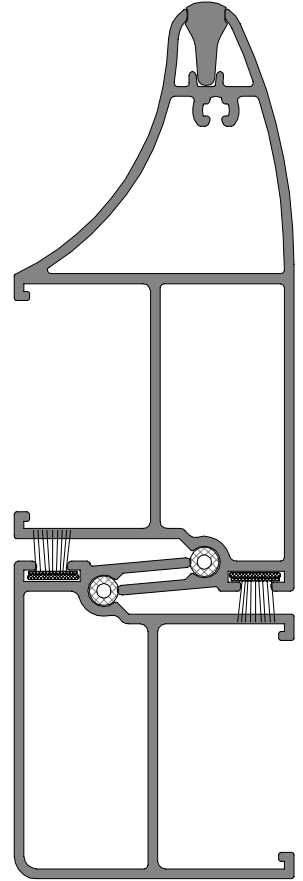
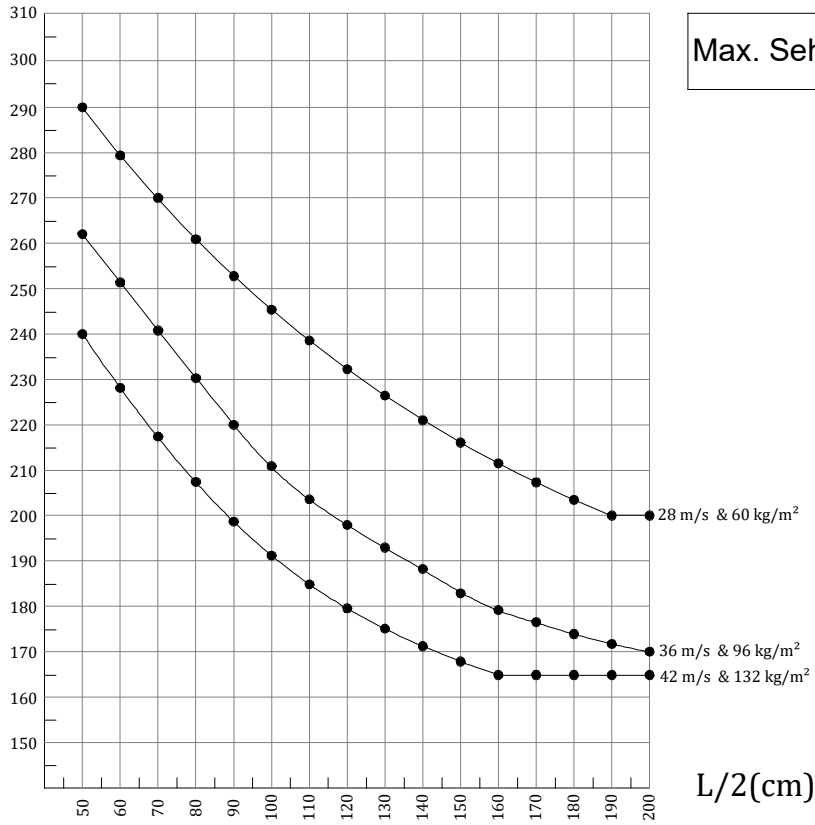


Jx : 10,82 cm⁴

RÜZGAR YÜKÜNE GÖRE KULLANIM LİMİTLERİ GRAFİĞİ




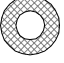

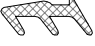


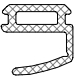
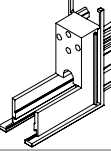
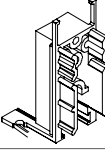
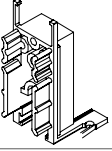
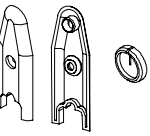
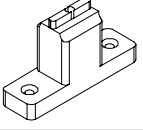

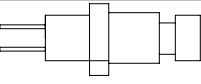
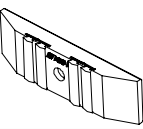
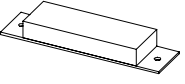
H(cm)



Jx : 25,42 cm⁴

PROFİL KESİTİ PROFILE SECTION	PROFİL KODU PROFILE CODE	PROFİL ADI PROFILE NAME	Jx cm ⁴	Jy cm ⁴	AĞIRLIK (kg/m) WEIGHT
	5822	İKİ RAYLI KASA PROFİLİ DOUBLE RAIL FRAME PROFILE	9,45 cm ⁴	38,88 cm ⁴	1,488 kg/m
	5823	ÜÇ RAYLI KASA PROFİLİ TRIPLE RAIL FRAME PROFILE	13,55 cm ⁴	129,96 cm ⁴	2,145 kg/m
	11597	İKİ RAYLI SİNEKLI KASA PROFİLİ DOUBLE RAIL SCREENING FRAME PROFILE	11,54 cm ⁴	91,54 cm ⁴	1,885 kg/m
	5833	KANAT PROFİLİ SASH PROFILE	18,67 cm ⁴	7,99 cm ⁴	1,074 kg/m
	5825	KANAT PROFİLİ SASH PROFILE	34,99 cm ⁴	9,77 cm ⁴	1,331 kg/m
	5834	KANAT PROFİLİ SASH PROFILE	36,71 cm ⁴	13,62 cm ⁴	1,378 kg/m
	5848	KANAT PROFİLİ SASH PROFILE	34,63 cm ⁴	9,81 cm ⁴	1,311 kg/m
	5830	KENET PROFİLİ INTERLOCK PROFILE	5,47 cm ⁴	2,64 cm ⁴	0,614 kg/m
	5831	KENET PROFİLİ INTERLOCK PROFILE	20,03 cm ⁴	3,92 cm ⁴	0,982 kg/m
	5844	KAPAK PROFİLİ COVER PROFILE	-	-	0,103 kg/m
	5851	SABİT KASA PROFİLİ FIXED FRAME PROFILE	-	-	0,971 kg/m
	5829	SİNEKLIK KANAT PROFİLİ SCREENING SASH PROFILE	-	-	0,655 kg/m
	12339	SİNEKLIK KANAT PROFİLİ SCREENING SASH PROFILE	-	-	0,703 kg/m
	9780	SİNEKLIK KANAT PROFİLİ SCREENING SASH PROFILE	-	-	0,860 kg/m
	9781	SİNEKLIK KAPAK PROFİLİ SCREENING COVER PROFILE	-	-	0,211 kg/m
	5850	ORTA KAYIT PROFİLİ MULLION PROFILE	-	-	0,842 kg/m
	12657	KAPAK PROFİLİ COVER PROFILE	-	-	0,414 kg/m
	5832	ADAPTÖR PROFİLİ ADAPTER PROFILE	-	-	0,436 kg/m
	13353	ADAPTÖR PROFİLİ ADAPTER PROFILE	-	-	0,661 kg/m
	3594	TAKVİYE PROFİLİ REINFORCE PROFILE	-	-	0,456 kg/m
	3595	TAKVİYE KAPAK PROFİLİ REINFORCE COVER PROFILE	-	-	0,101 kg/m
	5821	SİNEKLIK RAY PROFİLİ SCREENING RAIL PROFILE	-	-	0,220 kg/m
	5845	TİJ PROFİLİ STEM BAR PROFILE	-	-	0,141 kg/m
	598	KÖŞE KANAT PROFİLİ CORNER WEDGE PROFILE	-	-	1,677 kg/m

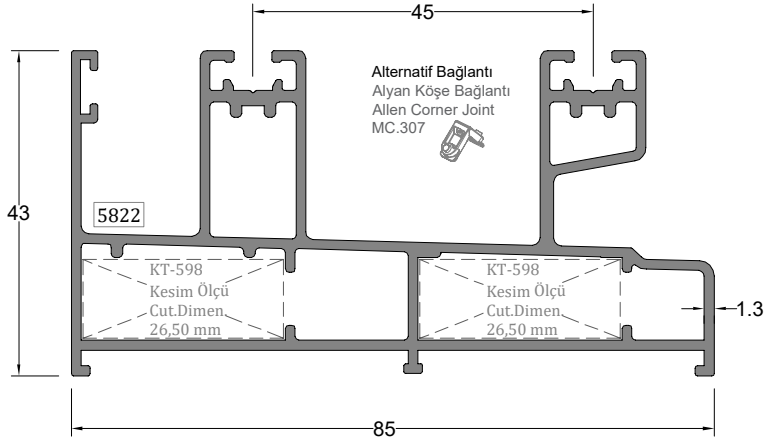
** Her profil için minimum sipariş 300 kg'dır.
 ** Minimum order quantity is 300 kg per profile.

AKSESUAR ACCESSORY	STOK KODU REFERENCE CODE	AKSESUAR ADI DESCRIPTION	AKSESUAR KODU PRODUCT CODE	PAKET PACK
	AKS1297	KANAL KAPATMA FİTİLİ RAIL COVER GASKET	S35-KRF.05	330 mt / paket 10 kg
	AKS1296	KENET SÜSPANSİYON FİTİLİ INTERLOCKING SUSPANSION GASKET	S35-KRF.04	770 mt / paket 10 kg
	AKS1254	DIŞ CAM FİTİLİ OUTER GLAZING GASKET	S35-DCF.30	215 mt / paket 10 kg
	AKS1338	İÇ CAM FİTİLİ INNER GLAZING GASKET	S35-İCF.30	280 mt / paket 10 kg
	AKS1339	İÇ CAM FİTİLİ INNER GLAZING GASKET	S35-İCF.40	220 mt / paket 10 kg
	AKS1341	İÇ CAM FİTİLİ INNER GLAZING GASKET	S35-İCF.50	185 mt / paket 10 kg
	AKS4883	NOVOLINE ORTA BİRLEŞİM ADAPTÖR FİTİLİ MIDDLE JOINT ADAPTER GASKET	S35T-ADK.35	230 mt / paket 10 kg
	AKS913	KANAT KÖŞE BAĞLANTI SASH CORNER JOINT	S35-KKB.400	100 ad / paket
	AKS914	KENET KÖŞE BAĞLANTI INTERLOCKING CORNER JOINT	S35-KKB.401	100 ad / paket
	AKS915	KENET KÖŞE BAĞLANTI (TERS) INTERLOCKING CORNER JOINT (SYMMETRY)	S35-KKB.402	100 ad / paket
	AKS919	KENET KAPAĞI INTERLOCKING PART	S35-KP.411	100 ad / paket
	AKS928	KANAT SABİTLEME TAKOZU SASH FIXING WEDGE	S35-KST.460	100 ad / paket
	AKS918	S35 STOPER S35 STOPPER	S35-STP.410	250 ad / paket
	AKS5299	ELEKTRONİK SWITCH ELEKTRONIC SWITCH	S35-ES.99	1 ad / paket
	AKS920	ALT HAVA KESİCİ BOTTOM AIR BLOCKER	S35-AHK.420	4 ad / paket
	AKS929	ÜST HAVA KESİCİ TOP AIR BLOCKER	S35-ÜHK.470	1 ad / paket

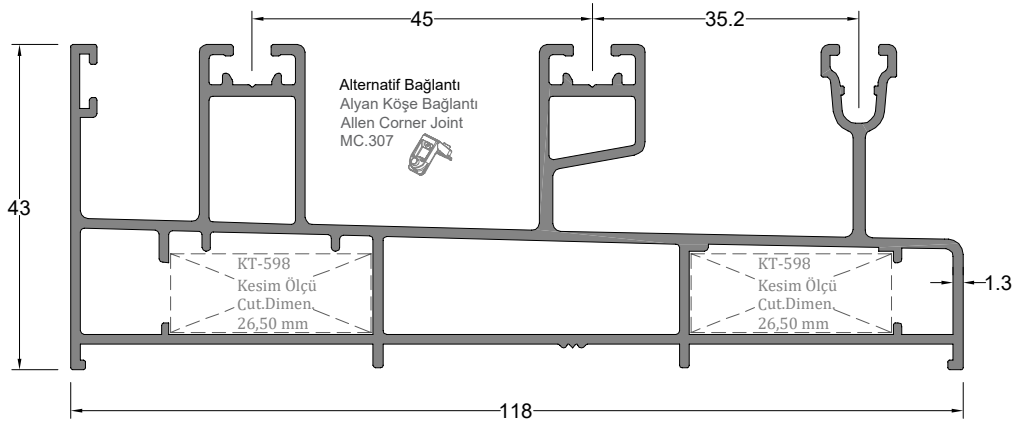
AKSESUAR ACCESSORY	STOK KODU REFERENCE CODE	AKSESUAR ADI DESCRIPTION	AKSESUAR KODU PRODUCT CODE	PAKET PACK
	AKS921	TAKVİYELİ KENET KAPAĞI REINFORCED INTERLOCKING COVER <small>5831 profil ile çalışır / For 5831</small>	S35-TKK.430	100 ad / paket
	AKS922	TAKVİYELİ KENET KAPAĞI REINFORCED INTERLOCKING COVER	S35-TKK.431	100 ad / paket
	AKS937	İSPANYOLET (40 cm) ESPAGNOLETTE (40 cm)	S35-İSP.491	1 ad / paket
	AKS938	İSPANYOLET (80 cm) ESPAGNOLETTE (80 cm)	S35-İSP.493	1 ad / paket
	AKS939	İSPANYOLET (100 cm) ESPAGNOLETTE (100 cm)	S35-İSP.494	1 ad / paket
	AKS4142	İSPANYOLET (120 cm) ESPAGNOLETTE (120 cm)	S35-İSP.492	1 ad / paket
	AKS941	İSPANYOLET (140 cm) ESPAGNOLETTE (140 cm)	S35-İSP.496	1 ad / paket
	AKS942	İSPANYOLET (160 cm) ESPAGNOLETTE (160 cm)	S35-İSP.497	1 ad / paket
	AKS943	İSPANYOLET (180 cm) ESPAGNOLETTE (180 cm)	S35-İSP.498	1 ad / paket
	AKS923	İSPANYOLET KARŞILIK ESPAGNOLETTE STRIKER	S35-İK.440	1 pk / 25 ad
	AKS4476	ROTO SECUSTİK PENCERE KOLU ROTO WINDOW HANDLE	S35-RK.291	1 Pk / 20 ad
	AKS924	KANCA VE GÖVDE BODY SET	S35-GT.441	1 pk / 25 ad
	AKS739	İSPANYOLET PİMİ ESPAGNOLETTE PIN	S35-TP.100	1 pk / 100 ad
	AKS122	FORZA EKSENEL PENCERE KOL(BEYAZ) FORZA AXIAL WINDOW HANDLE(WHITE)	S35-FPK.702	1 pk / 20 ad
	AKS123	FORZA EKSENEL PENCERE KOL(RENKLI) FORZA AXIAL WINDOW HANDLE(COLORED)	S35-FPK.703	1 pk / 20 ad
	AKS124	FORZA EKSENEL PENCERE KOL(NATUREL) FORZA WINDOW AXIAL HANDLE (NATURAL)	S35-FPK.803	1 pk / 20 ad
	AKS4469	EKSENEL KOL ROTO(ELOKSALLI) ROTO AXIAL HANDLE(ANODIZED)	S35-RK.601	1 pk / 10 ad
	AKS121	EKSENEL KOL ROTO(ELOKSALLI KİLİTLİ) ROTO AXIAL HANDLE(ANODIZED LOCKED)	S35-RK.604	1 pk / 10 ad

AKSESUAR ACCESSORY	STOK KODU REFERENCE CODE	AKSESUAR ADI DESCRIPTION	AKSESUAR KODU PRODUCT CODE	PAKET PACK
	AKS126	FORZA EKSENEL KOL YENİ(NATUREL) FORZA NEW AXIAL HANDLE(NATURAL)	S35-EK.810	1 pk /50 ad
	AKS127	FORZA EKSENEL KOL YENİ(BEYAZ) FORZA NEW AXIAL HANDLE(WHITE)	S35-EK.811	1 pk /50 ad
	AKS128	FORZA EKSENEL KOL YENİ(RENKLi) FORZA NEW AXIAL HANDLE(COLOURED)	S35-EK.812	1 pk /50 ad
	AKS370	FORZA YAYLI HAVUZ KOL (SİYAH) FORZA RECESSED HANDLE AUTOMATIC (BLACK)	S35T-FHK.750	1 pk / 40ad
	AKS371	FORZA YAYLI HAVUZ KOL (BEYAZ) FORZA RECESSED HANDLE AUTOMATIC (WHITE)	S35T-FHK.751	1 pk / 40ad
	AKS372	FORZA YAYLI HAVUZ KOL (NATUREL) FORZA RECESSED HANDLE AUTOMATIC (NATURAL)	S35T-FHK.752	1 pk / 40ad
	AKS373	FORZA YAYLI HAVUZ KOL (ANTRASİT) FORZA RECESSED HANDLE AUTOMATIC (ANTHRACITE)	S35T-FHK.753	1 pk / 40ad
	AKS374	FORZA MANUEL HAVUZ KOL (SİYAH) FORZA RECESSED HANDLE MANUEL (BLACK)	S35T-FHK.760	1 pk / 40ad
	AKS375	FORZA MANUEL HAVUZ KOL(BEYAZ) FORZA RECESSED HANDLE MANUEL (WHITE)	S35T-FHK.761	1 pk / 40ad
	AKS376	FORZA MANUEL HAVUZ KOL (NATUREL) FORZA RECESSED HANDLE MANUEL (NATURAL)	S35T-FHK.762	1 pk / 40ad
	AKS377	FORZA MANUEL HAVUZ KOL (ANTRASİT) FORZA RECESSED HANDLE MANUEL (ANTHRACITE)	S35T-FHK.763	1 pk / 40ad
	AKS378	FORZA ANAHTARLI HAVUZ KOL (SİYAH) FORZA RECESSED HANDLE LOCK WITH KEY (BLACK)	S35T-FHK.770	1 pk / 40ad
	AKS379	FORZA ANAHTARLI HAVUZ KOL (BEYAZ) FORZA RECESSED HANDLE LOCK WITH KEY (WHITE)	S35T-FHK.771	1 pk / 40ad
	AKS380	FORZA ANAHTARLI HAVUZ KOL (NATUREL) FORZA RECESSED HANDLE LOCK WITH KEY (NATURAL)	S35T-FHK.772	1 pk / 40ad
	AKS381	FORZA ANAHTARLI HAVUZ KOL (ANTRASİT) FORZA RECESSED HANDLE LOCK WITH KEY (ANTHRACITE)	S35T-FHK.773	1 pk / 40ad
	AKS386	FORZA PASİF HAVUZ KOL (SİYAH) FORZA RECESSED FINGER PULL HANDLE (BLACK)	S35T-FHK.790	1 pk / 40 ad
	AKS387	FORZA PASİF HAVUZ KOL (BEYAZ) FORZA RECESSED FINGER PULL HANDLE (WHITE)	S35T-FHK.791	1 pk / 40 ad
	AKS388	FORZA PASİF HAVUZ KOL (NATUREL) FORZA RECESSED FINGER PULL HANDLE (NATURAL)	S35T-FHK.792	1 pk / 40 ad
	AKS389	FORZA PASİF HAVUZ KOL (ANTRASİT) FORZA RECESSED FINGER PULL HANDLE (NATURAL)	S35T-FHK.753	1 pk / 40 ad
	AKS383	FORZA KİLİT DİLİ (ZAMAK) FORZA HOOK (ZAMAK) Forza yaylı ve manuel havuz kol ile kullanılmaktadır.	S35T-FKD.781	1 pk / 40 ad
	AKS382	FORZA KİLİT DİLİ (ZAMAK) FORZA HOOK (ZAMAK)	S35T-FKD.780	1 pk / 40 ad

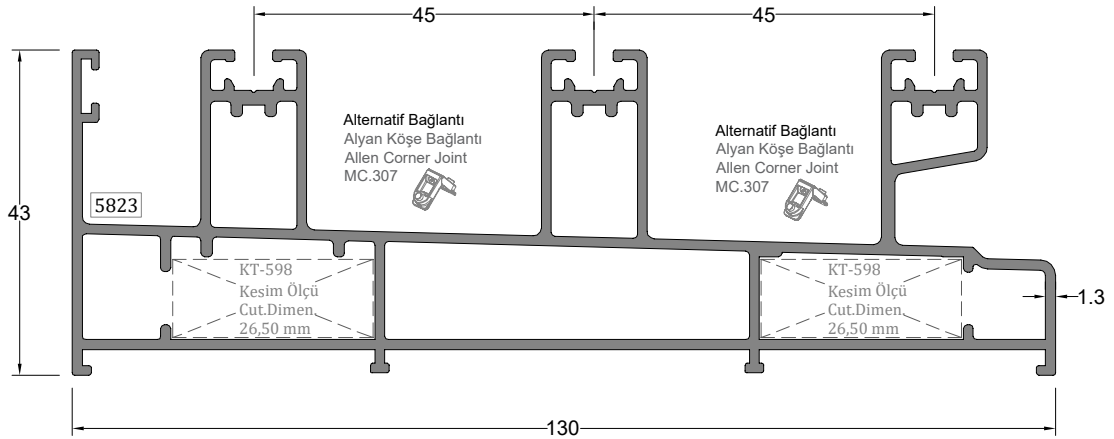
AKSESUAR ACCESSORY	STOK KODU REFERENCE CODE	AKSESUAR ADI DESCRIPTION	AKSESUAR KODU PRODUCT CODE		PAKET PACK
	AKS384	FORZA KİLİT KARŞILIĞI (ZAMAK) FORZA STRIKER (ZAMAK)	S35-FKK.782		1 pk / 40 ad
	AKS1560	PASLANMAZ ÇELİK RAY 8,3mm STAINLESS STEEL RAIL 8,3 mm	S35-PÇR.200		10 ad x 6 m
	AKS926	S35 ELİT ALÜMİNYUM AYARLI RULMAN S35 ELITE ALUMINIUM ADJUSTABLE ROLLER	S35-AR.450	250 KG	1 pk / 100 ad
	AKS927	S35 FORZA ECO ALÜMİNYUM AYARLI RULMAN S35 FORZA ECO ALUMINIUM ADJUSTABLE ROLLER	S35-FAR.455	130 KG	1 pk / 100 ad
	AKS780	ALYAN KÖŞE BAĞLANTI ALLEN CORNER JOINT	S35-MC.307		1 pk / 250 ad
	AKS1608	AYARLI TEKLİ RULMAN (PVC) ADJUSTABLE ROLLER (SINGLE)	S35-AR.121		1 pk / 100 ad
	AKS1607	SAC KÖŞE BAĞLANTI SHEET CORNER CONNECTION	S35-SC.150		1 pk / 500 ad
	AKS1596	SİNEKLİK TÜLÜ SCREENING NET	S35-STF.80		24 m ² paket
	AKS1597		S35-STF.100		30 m ² paket
	AKS1598		S35-STF.120		36 m ² paket
	AKS1599		S35-STF.140		44 m ² paket
	AKS1600		S35-STF.160		48 m ² paket
	AKS1425	SİNEKLİK FİTİLİ SCREENING GASKET	S35-SF.114		100 mt / paket
	AKS1426		S35-SF.115		
	AKS1427		S35-SF.116		
	AKS8039	SİNEKLİK FİTİLİ 8 mm SCREENING GASKET 8 mm	S35-SF.80		227 mt / paket 10 kg
	AKS1161	S35 OTOMATİK PUNCH MAKİNESİ S35 AUTOMATIC PUNCHING MACHINE	S35- PH.260		1 pk / 1 ad
	AKS1537	FİRÇA FİTİLİ WEATHER STRIP	S35-FÇ.709		350 m / paket
	AKS1539	FİRÇA FİTİLİ WEATHER STRIP	S35-FÇ.711		250 m / paket



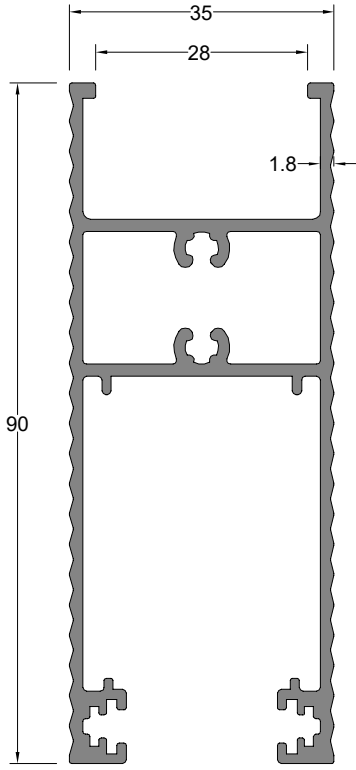
İki Raylı Kasa Profili DOUBLE RAIL FRAME PROFILE	Profil Kodu Profile Code	(kg/mt) Weight	Jx cm ⁴	Jy cm ⁴
	5822	1,488	9,45	38,88



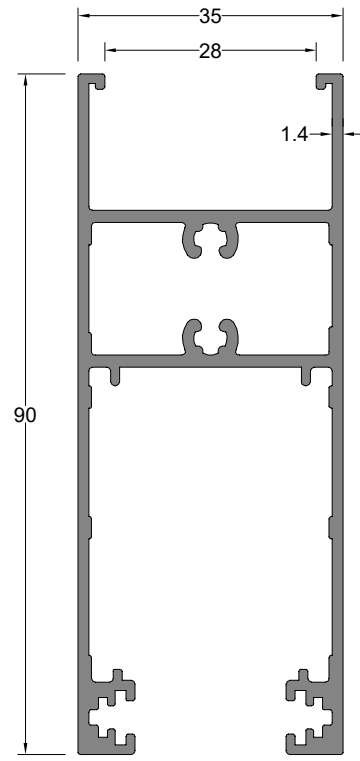
İki Raylı Sineklikli Kasa Profili DOUBLE RAIL SCREENING FRAME PROFILE	Profil Kodu Profile Code	(kg/mt) Weight	Jx cm ⁴	Jy cm ⁴
	11597	1,885	11,54	91,54



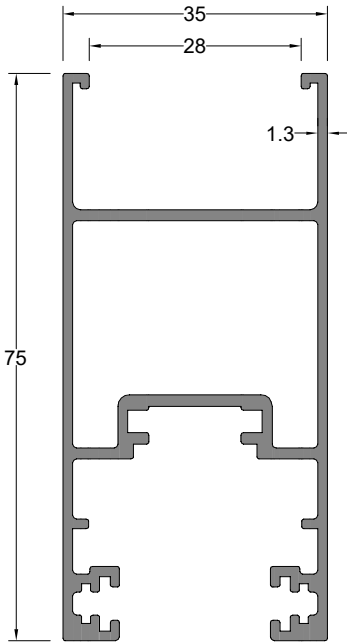
Üç Raylı Kasa Profili TRIPLE RAIL FRAME PROFILE	Profil Kodu Profile Code	(kg/mt) Weight	Jx cm ⁴	Jy cm ⁴
	5823	2,145	13,55	129,96



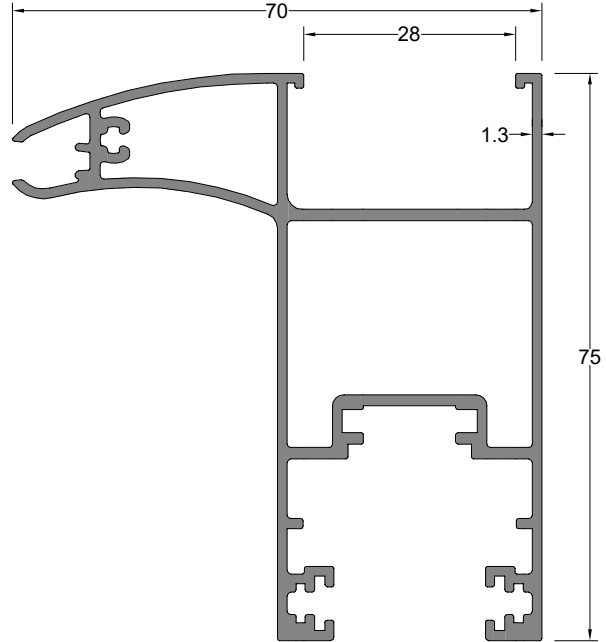
Kanat Profili SASH PROFILE	Profil Kodu Profile Code	(kg/mt) Weight	Jx cm ⁴	Jy cm ⁴
	5825	1,331	34,99	9,77



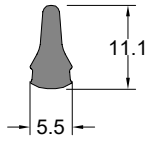
Kanat Profili SASH PROFILE	Profil Kodu Profile Code	(kg/mt) Weight	Jx cm ⁴	Jy cm ⁴
	5848	1,311	34,63	9,81



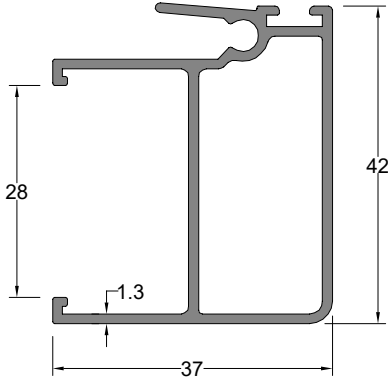
Kanat Profili SASH PROFILE	Profil Kodu Profile Code	(kg/mt) Weight	Jx cm ⁴	Jy cm ⁴
	5833	1,074	18,67	7,99



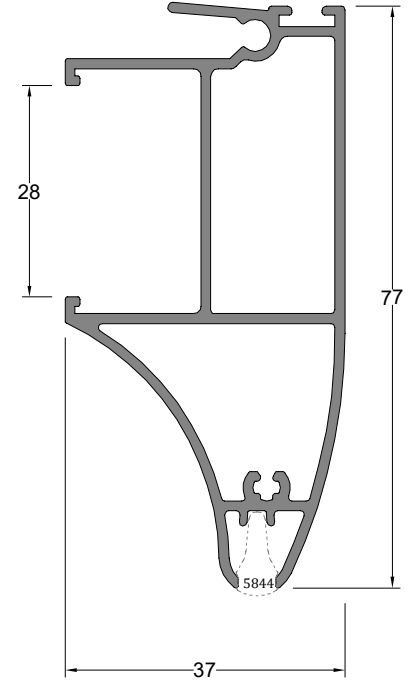
Kanat Profili SASH PROFILE	Profil Kodu Profile Code	(kg/mt) Weight	Jx cm ⁴	Jy cm ⁴
	5834	1,378	36,71	13,62



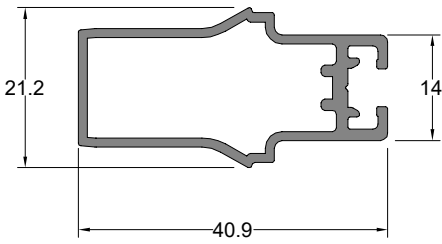
Kapak Profili	Profil Kodu	(kg/mt)
COVER PROFILE	Profile Code	Weight
	5844	0,103



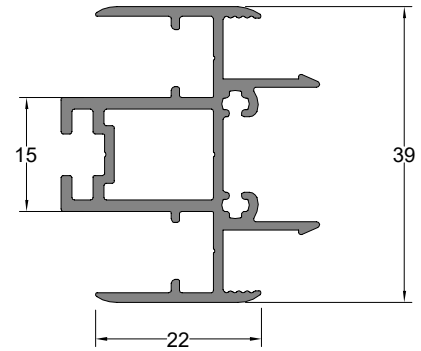
Kenet Profili	Profil Kodu	(kg/mt)	Jx cm ⁴	Jy cm ⁴
INTERLOCK PROFILE	Profile Code	Weight		
	5830	0,614	5,47	2,64



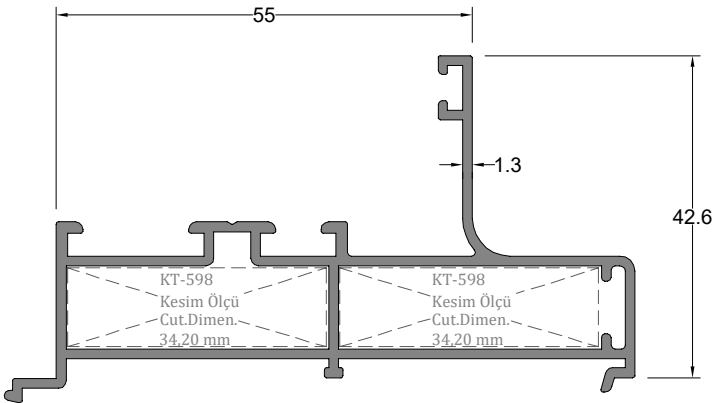
Kenet Profili	Profil Kodu	(kg/mt)	Jx cm ⁴	Jy cm ⁴
INTERLOCK PROFILE	Profile Code	Weight		
	5831	0,982	20,03	3,92



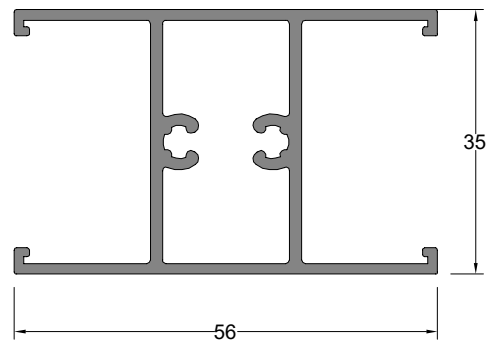
Adaptör Profili	Profil Kodu	(kg/mt)
ADAPTER PROFILE	Profile Code	Weight
	5832	0,436



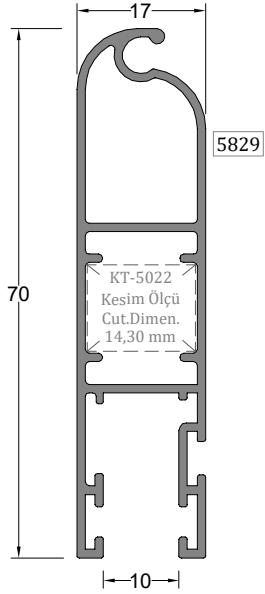
Adaptör Profili	Profil Kodu	(kg/mt)
ADAPTER PROFILE	Profile Code	Weight
	13353	0,661



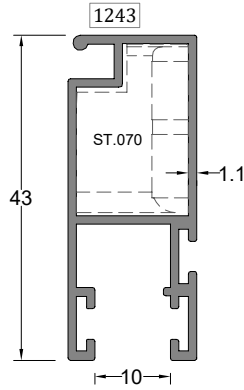
Sabit Kasa Profili	Profil Kodu	(kg/mt)
FIXED FRAME PROFILE	Profile Code	Weight
	5851	0,971



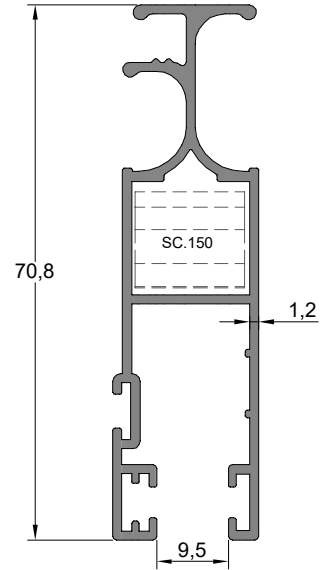
Orta Kayıt Profili	Profil Kodu	(kg/mt)
MULLION PROFILE	Profile Code	Weight
	5850	0,842



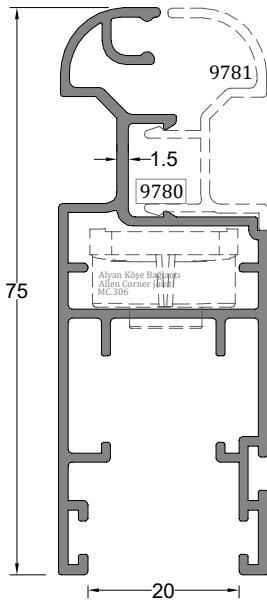
Sineklik Profili	Profil Kodu	(kg/mt)
SCREENING PROFILE	Profile Code	Weight
	5829	0,655



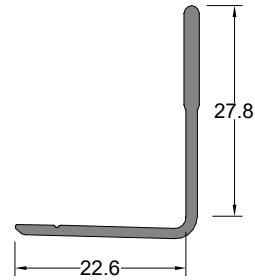
Sineklik Profili	Profil Kodu	(kg/mt)
SCREENING PROFILE	Profile Code	Weight
	1243	0,434



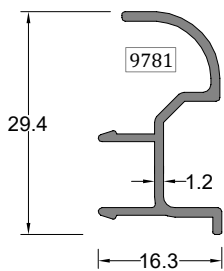
Sineklik Profili	Profil Kodu	(kg/mt)
SCREENING PROFILE	Profile Code	Weight
	12339	0,703



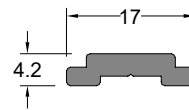
Sineklik Kanat Profili	Profil Kodu	(kg/mt)
SWATTER SASH PROFILE	Profile Code	Weight
	9780	0,860



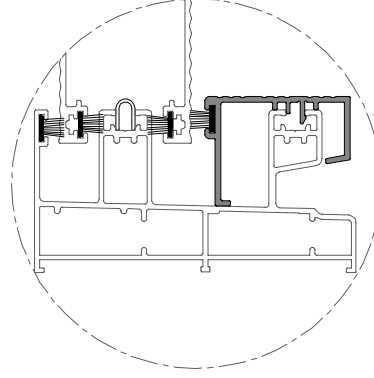
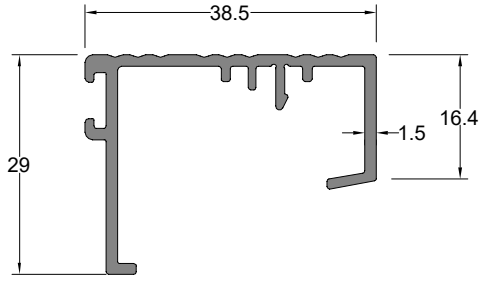
Sineklik Ray Profili	Profil Kodu	(kg/mt)
SCREENING RAIL PROFILE	Profile Code	Weight
	5821	0,220



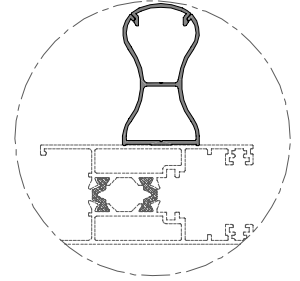
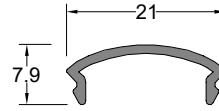
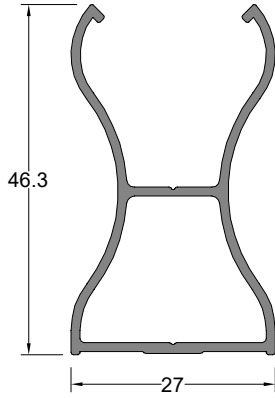
Sineklik Kapak Profili	Profil Kodu	(kg/mt)
SCREENING COVER PROFILE	Profile Code	Weight
	9781	0,211



Tij Profili	Profil Kodu	(kg/mt)
STEM BAR PROFILE	Profile Code	Weight
	5845	0,141

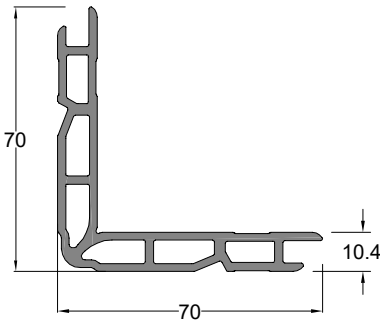


Kapak Profili	Profil Kodu	(kg/mt)
COVER PROFILE	Profile Code	Weight
	12657	0,414



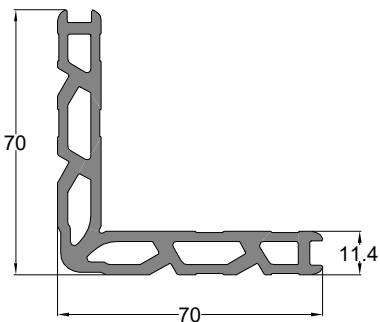
Takviye Profili	Profil Kodu	(kg/mt)
REINFORCE PROFILE	Profile Code	Weight
	3594	0,456

Takviye Kapak Profili	Profil Kodu	(kg/mt)
REINFORCE COVER PROFILE	Profile Code	Weight
	3595	0,101



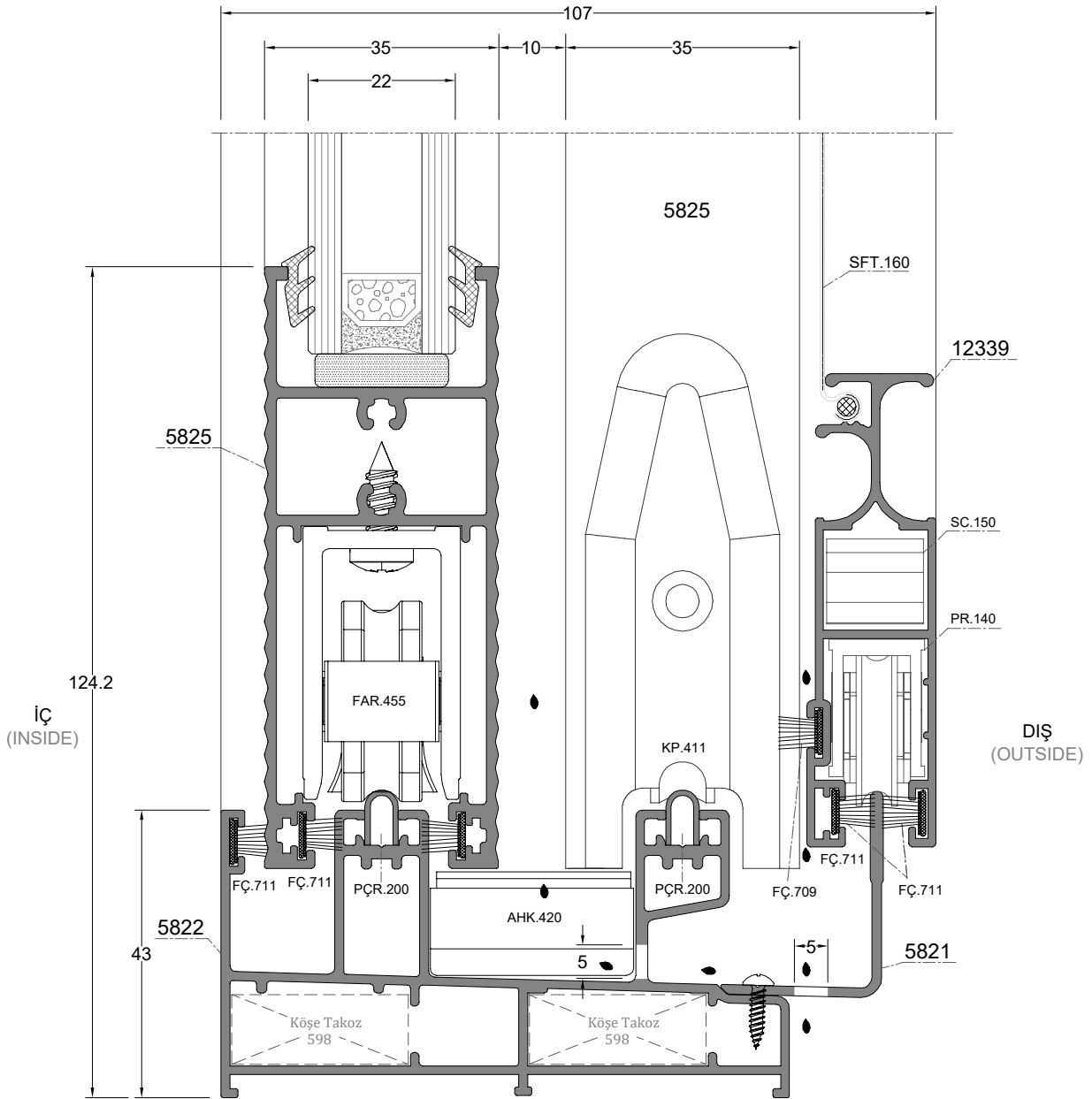
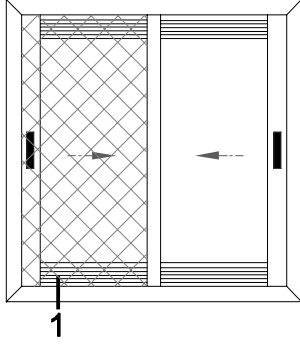
Köşe Takoz Profili	Profil Kodu	(kg/mt)
CORNER WEDGE PROFILE	Profile Code	Weight
	598	1,677

Köşe Takozu	Profil Kodu	Kullanıldığı Profil	Kesim Boyu (mm)
Corner Wedge	Profile Code	Used Profile	Cutting Length (mm)
598		5822, 11597, 5823	26,50 mm
		5851	34,20 mm

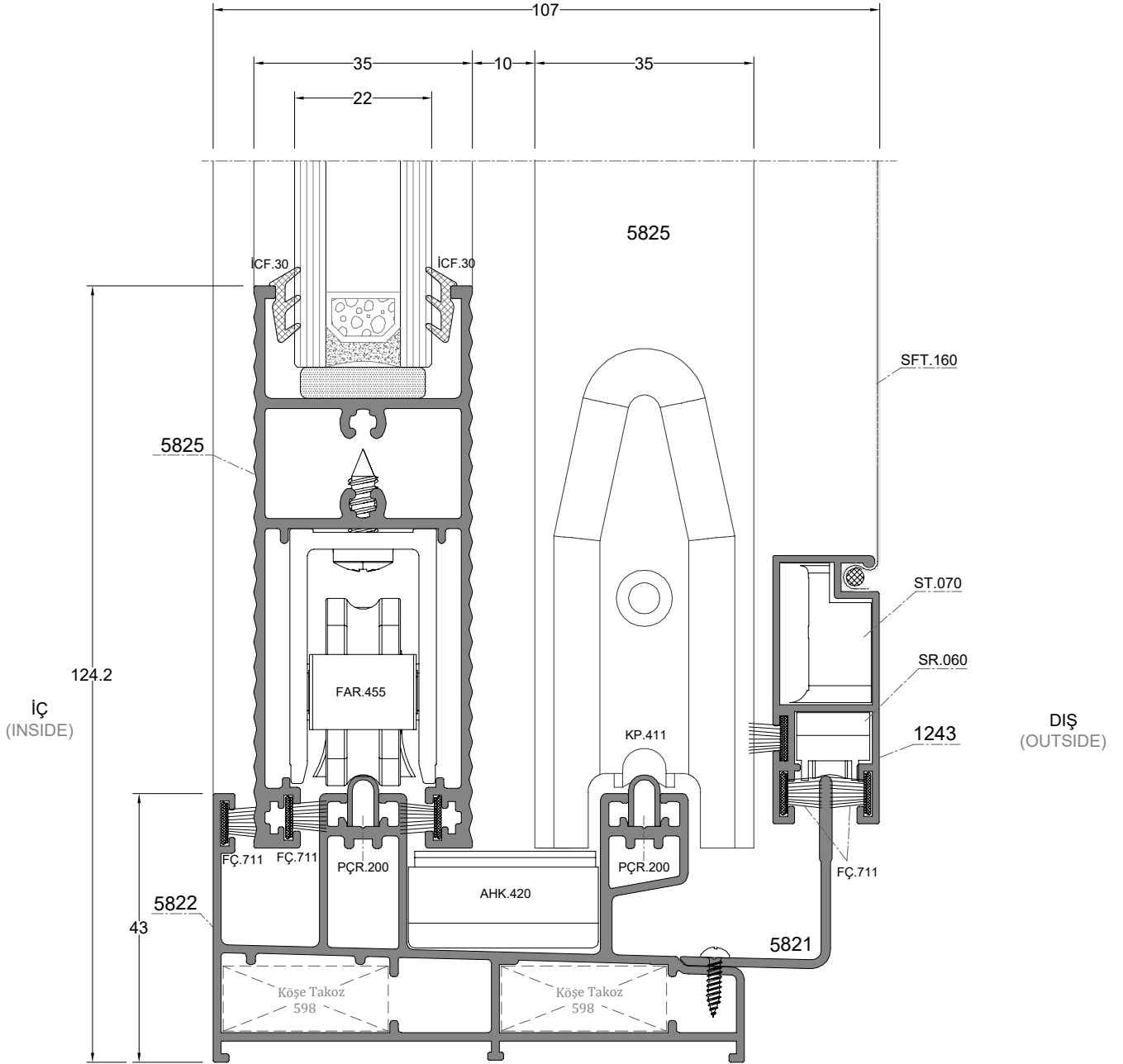
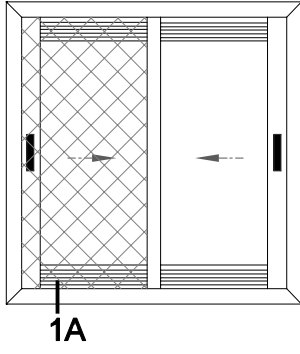


Köşe Takoz Profili	Profil Kodu	(kg/mt)
CORNER WEDGE PROFILE	Profile Code	Weight
	5022	2,245

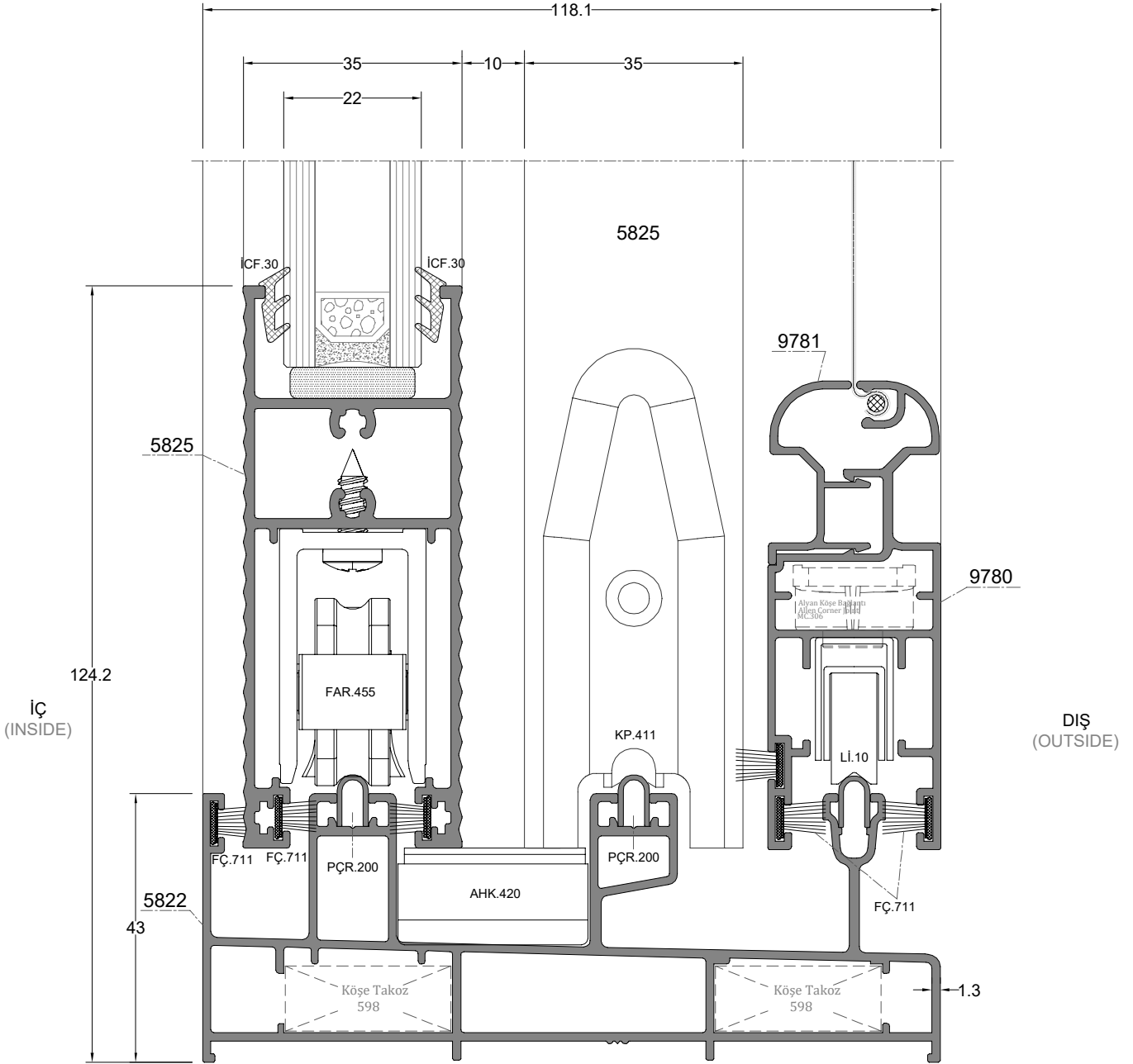
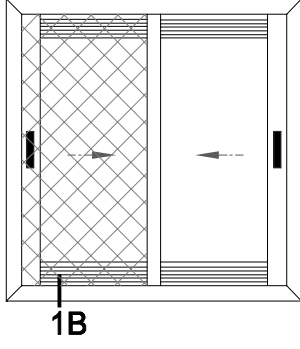
Köşe Takozu	Profil Kodu	Kullanıldığı Profil	Kesim Boyu (mm)
Corner Wedge	Profile Code	Used Profile	Cutting Length (mm)
5022		5829	14,30 mm



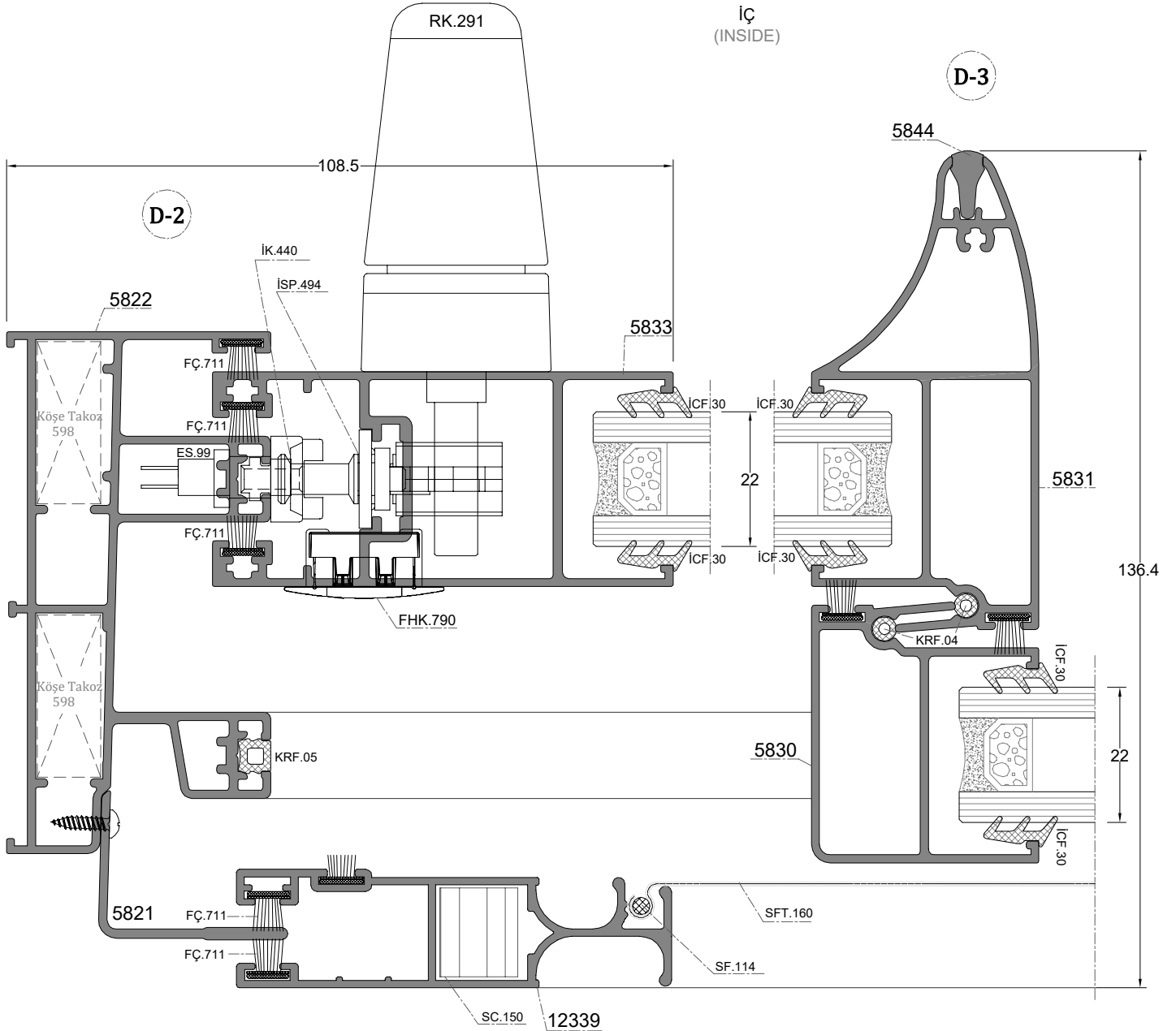
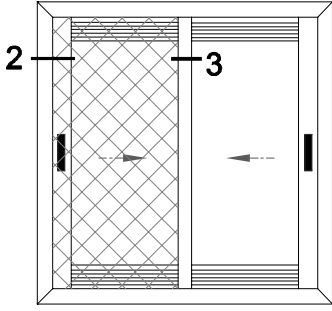
D-1

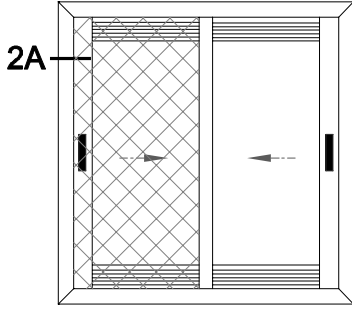


D-1A

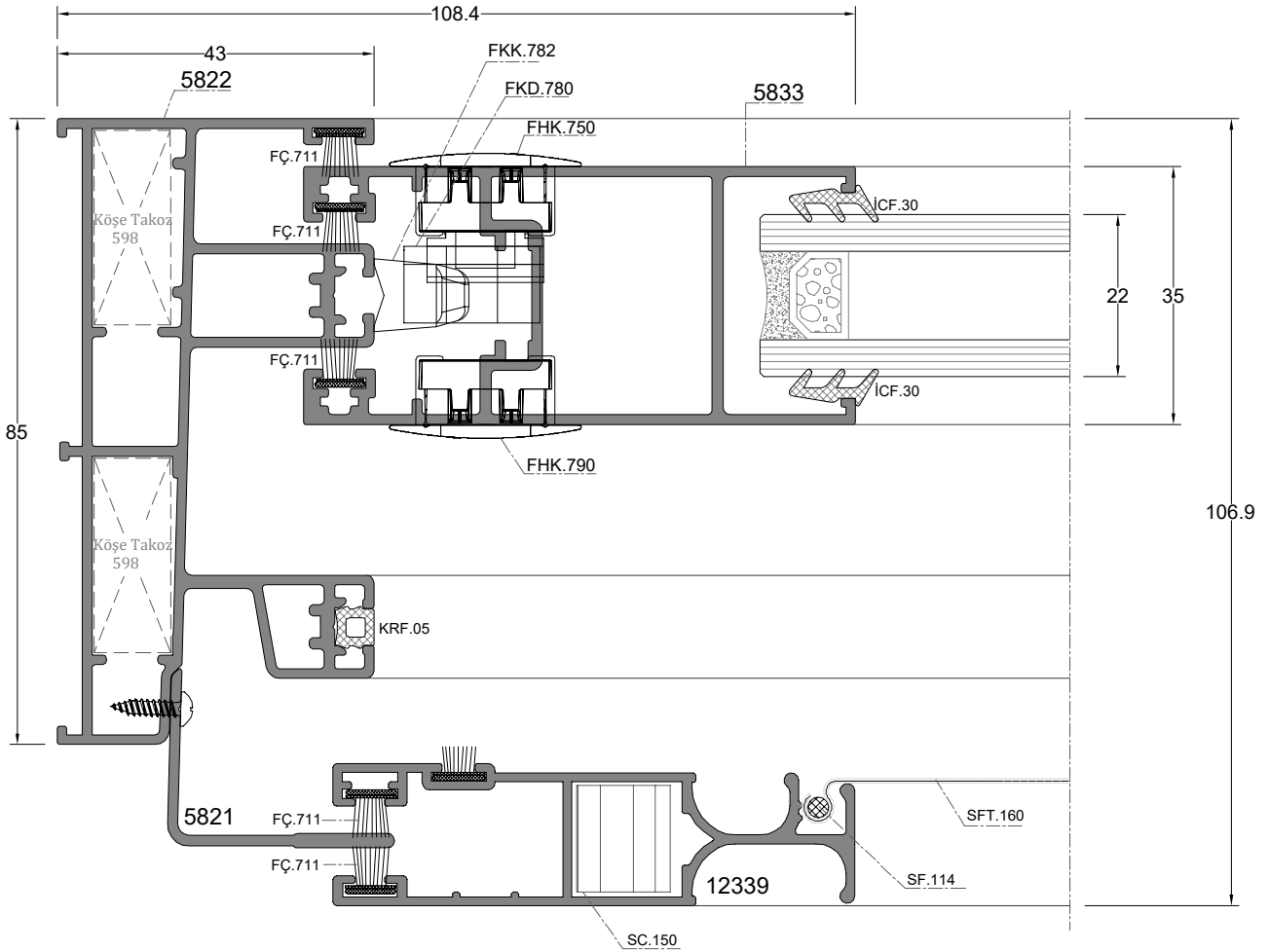


D-1B



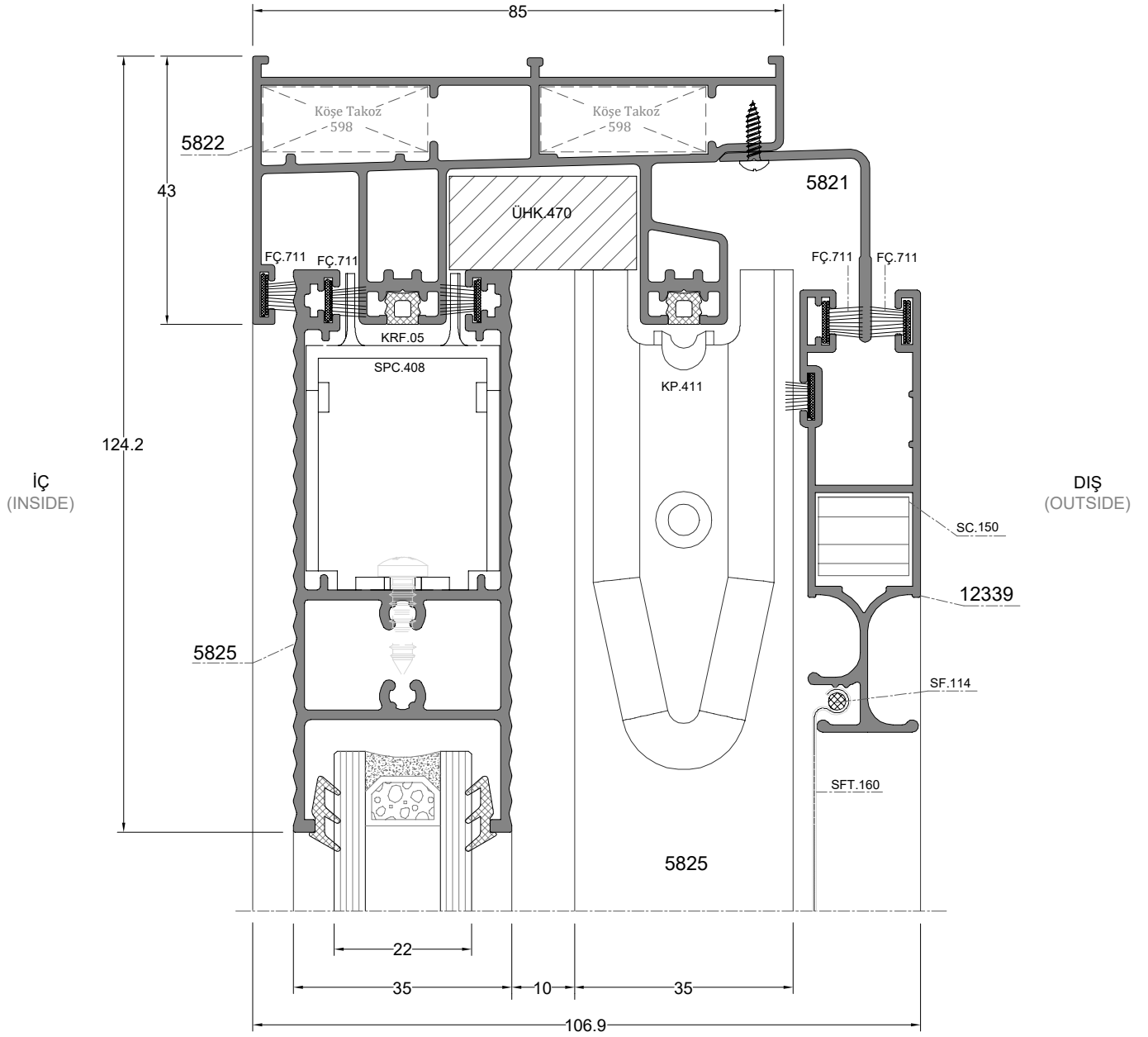
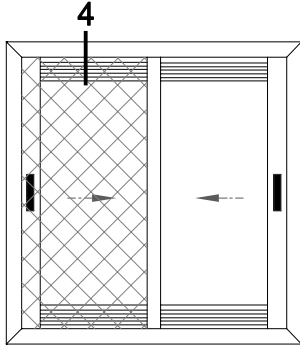


İÇ
(INSIDE)

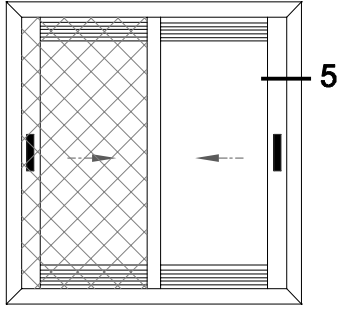


DIŞ
(OUTSIDE)

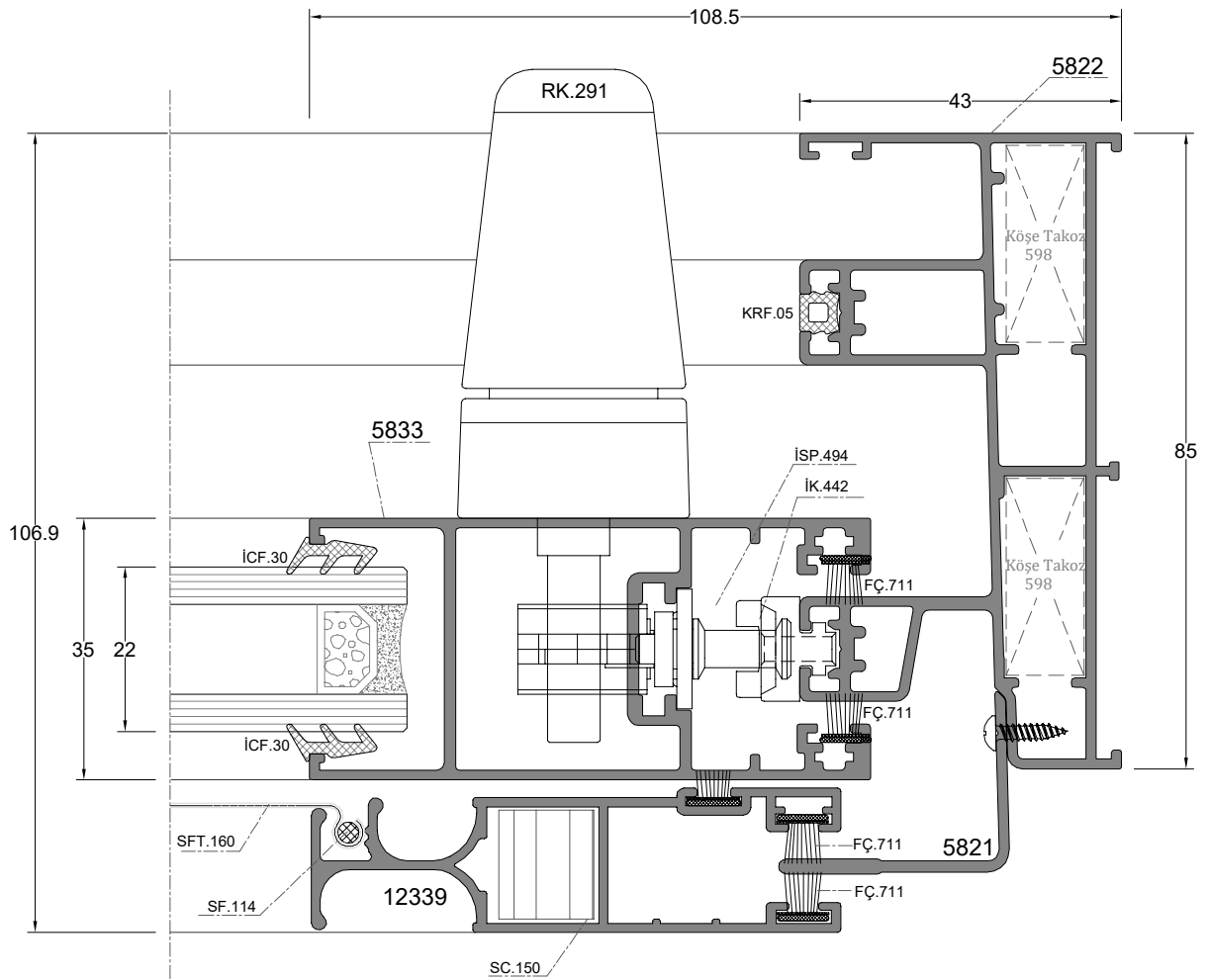
D-2A



D-4

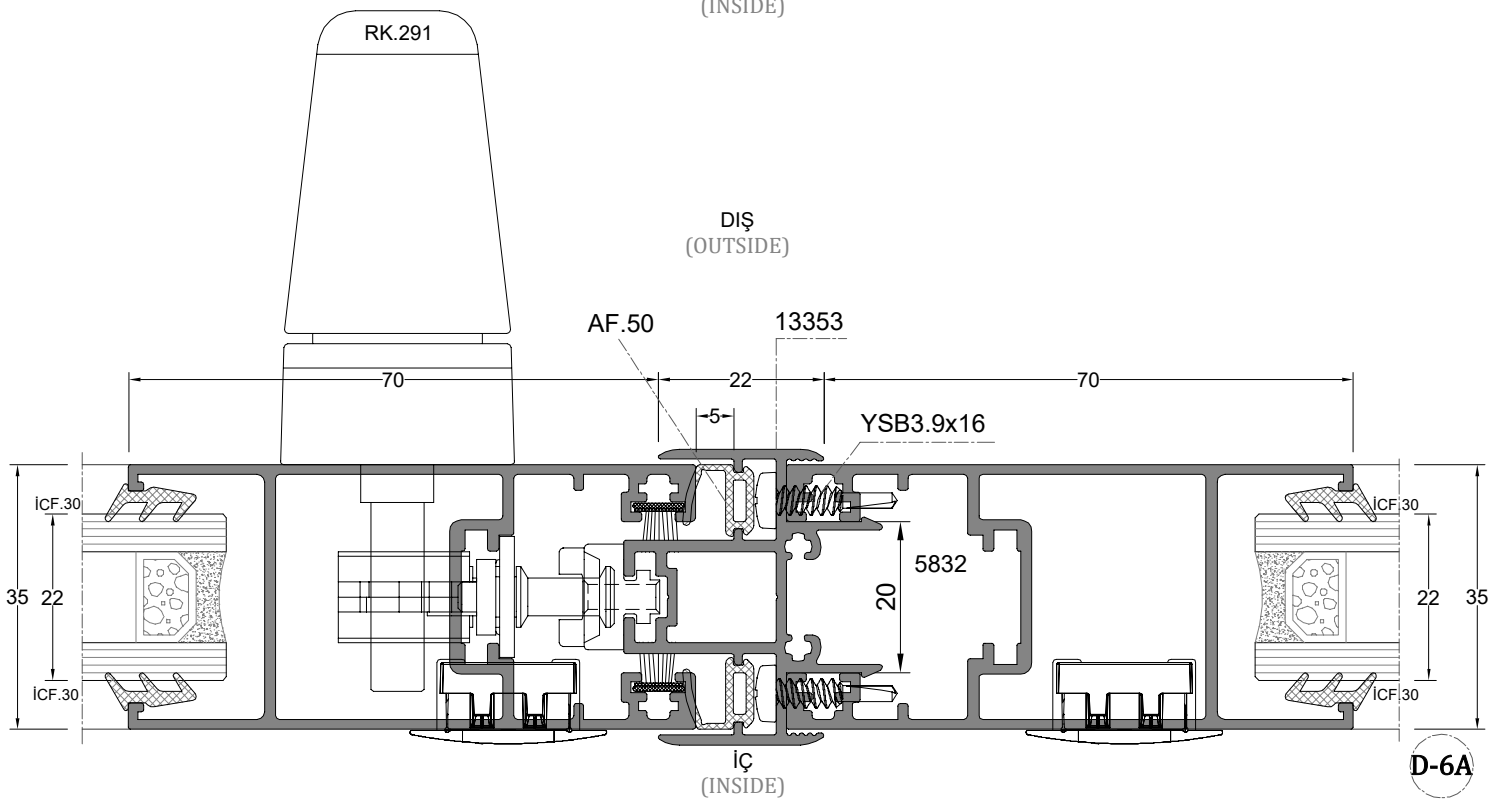
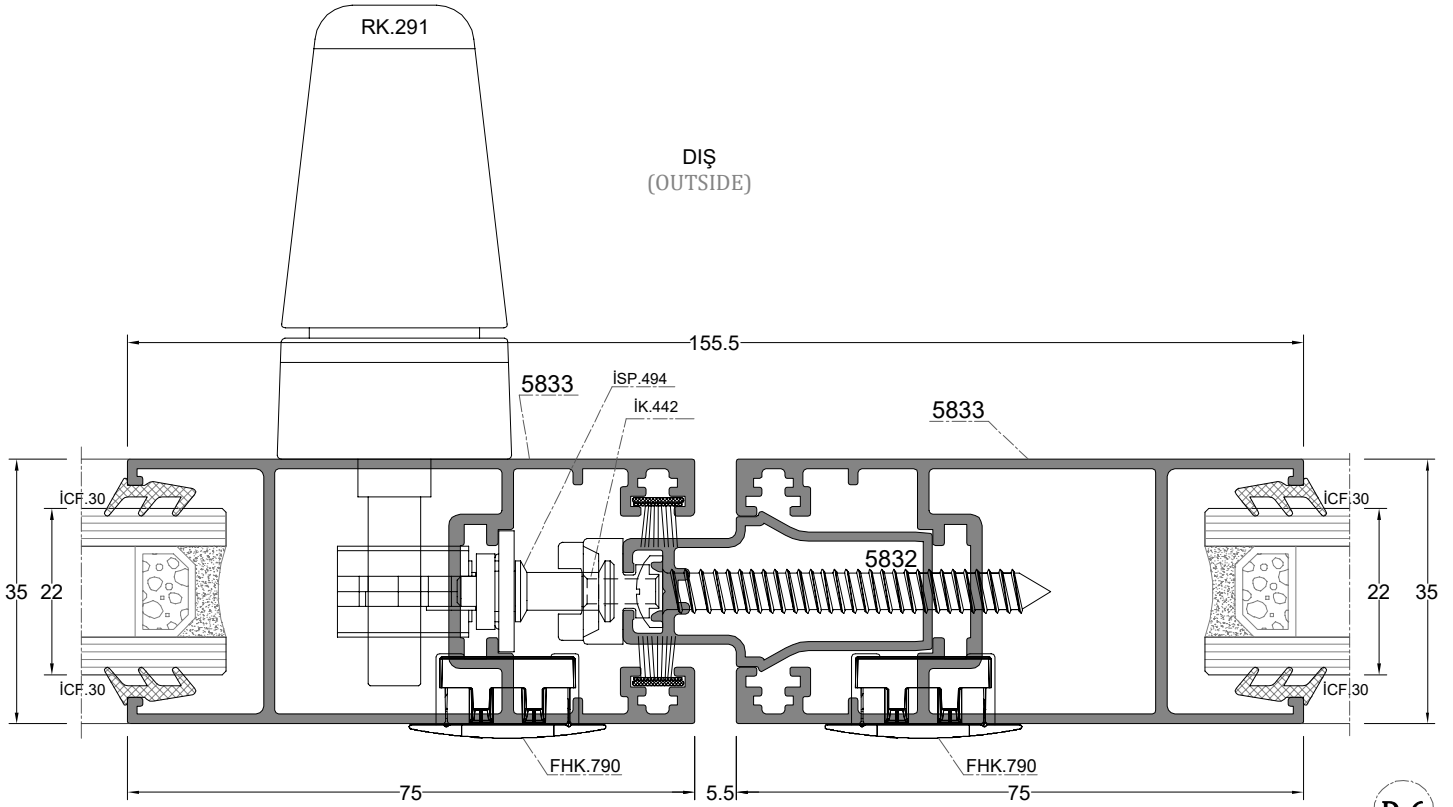
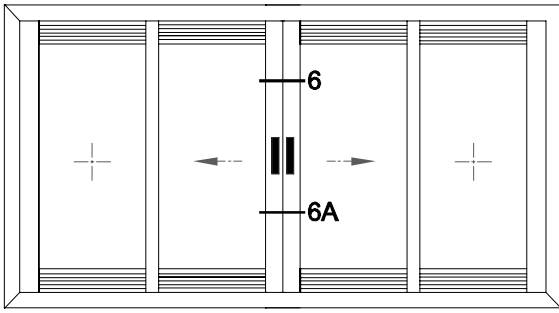


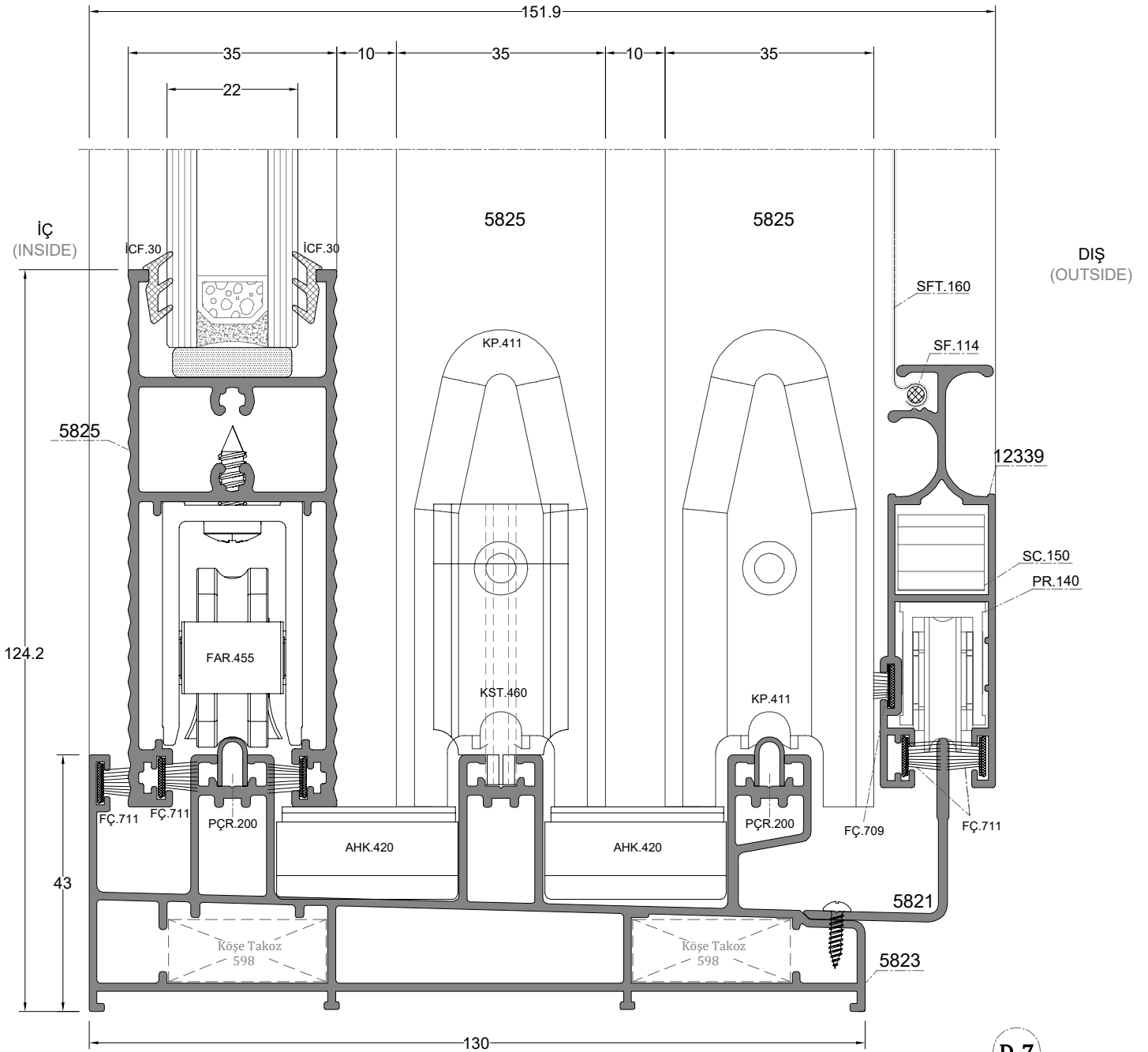
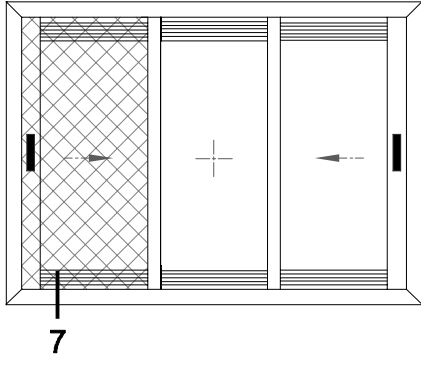
İÇ
(INSIDE)



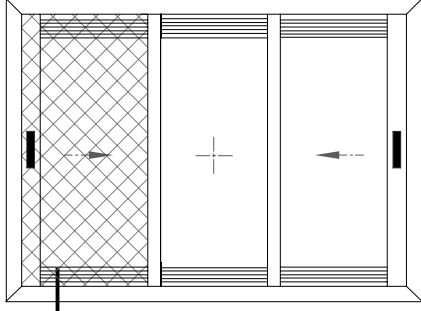
DIŞ
(OUTSIDE)

D-5

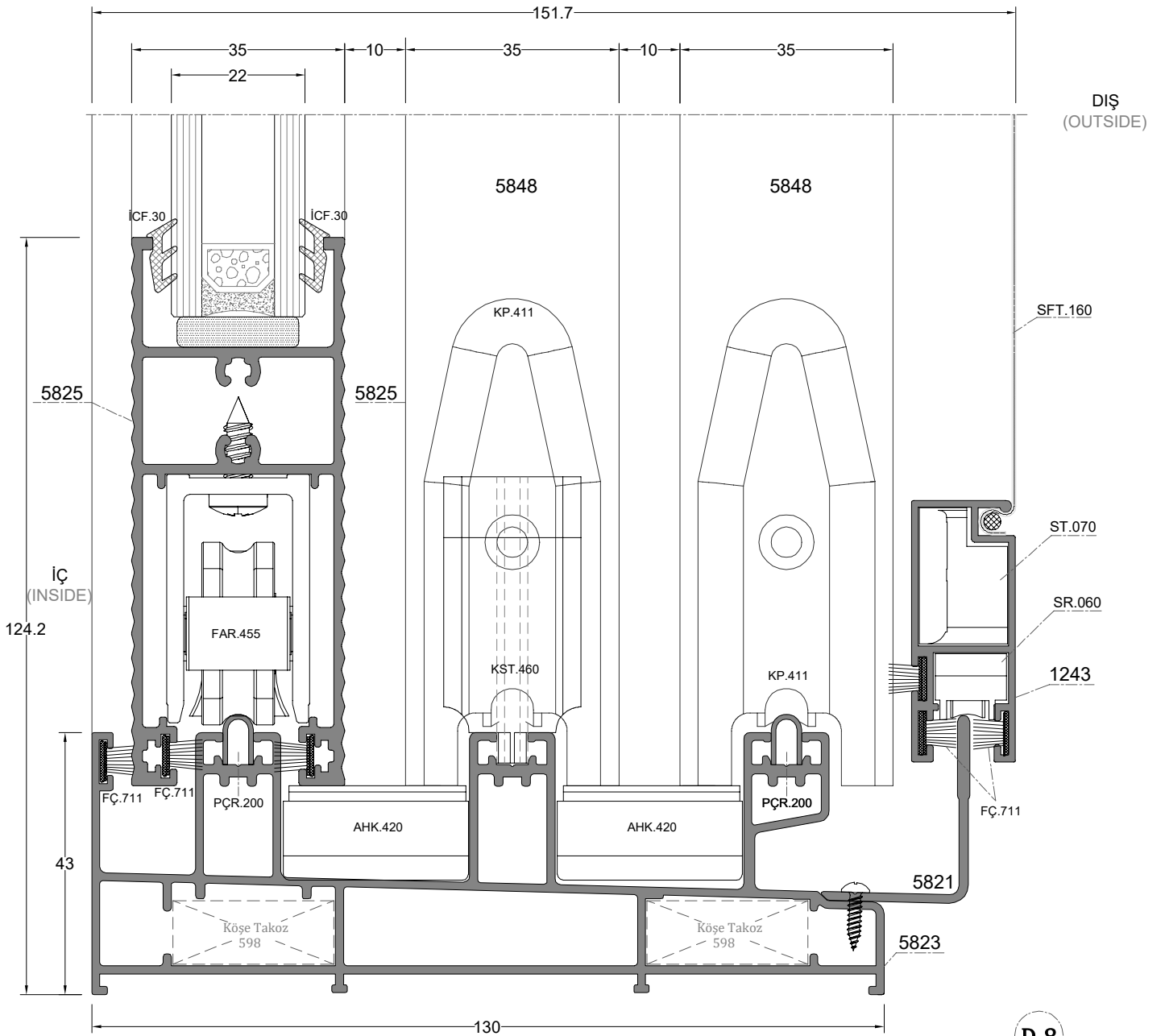


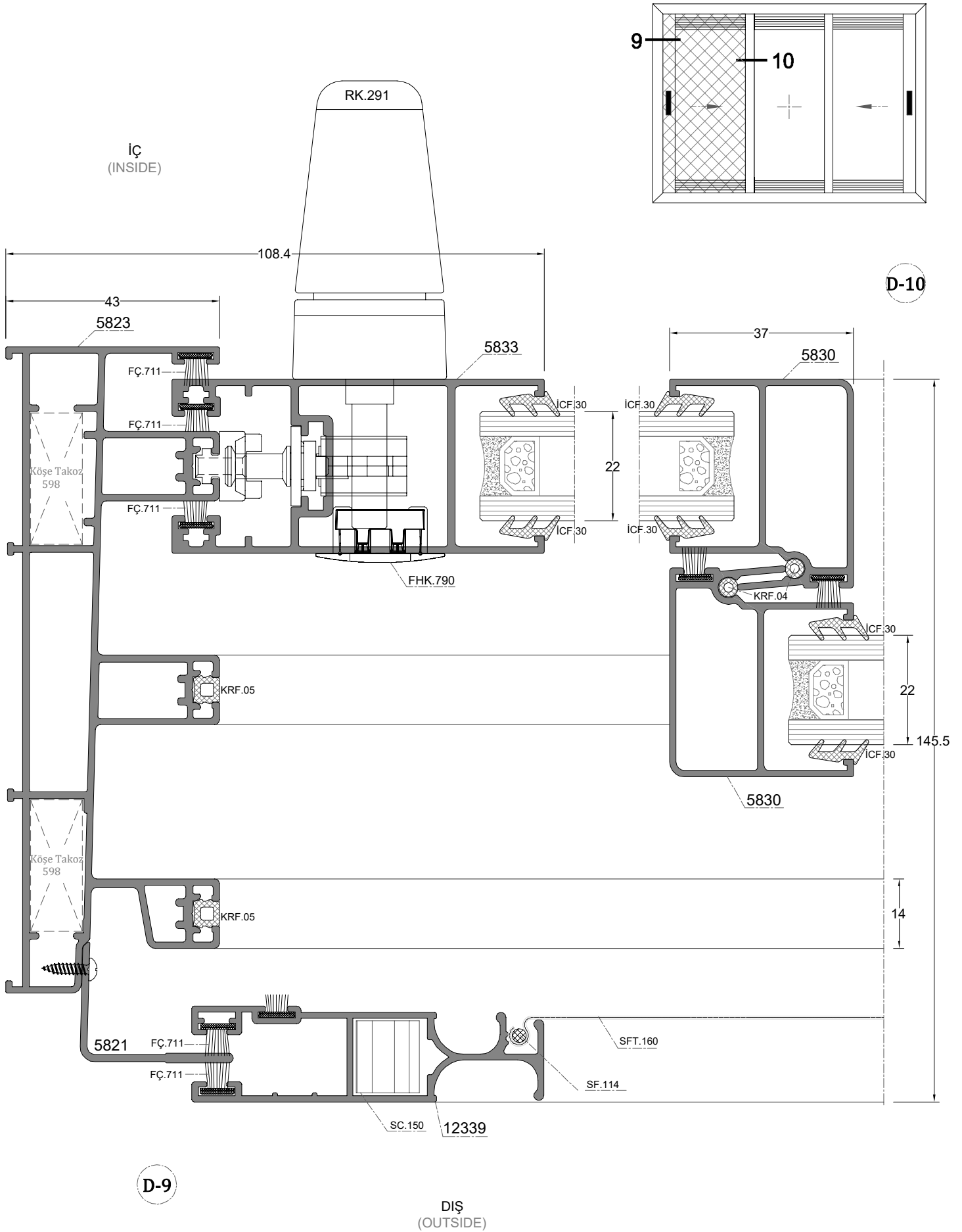


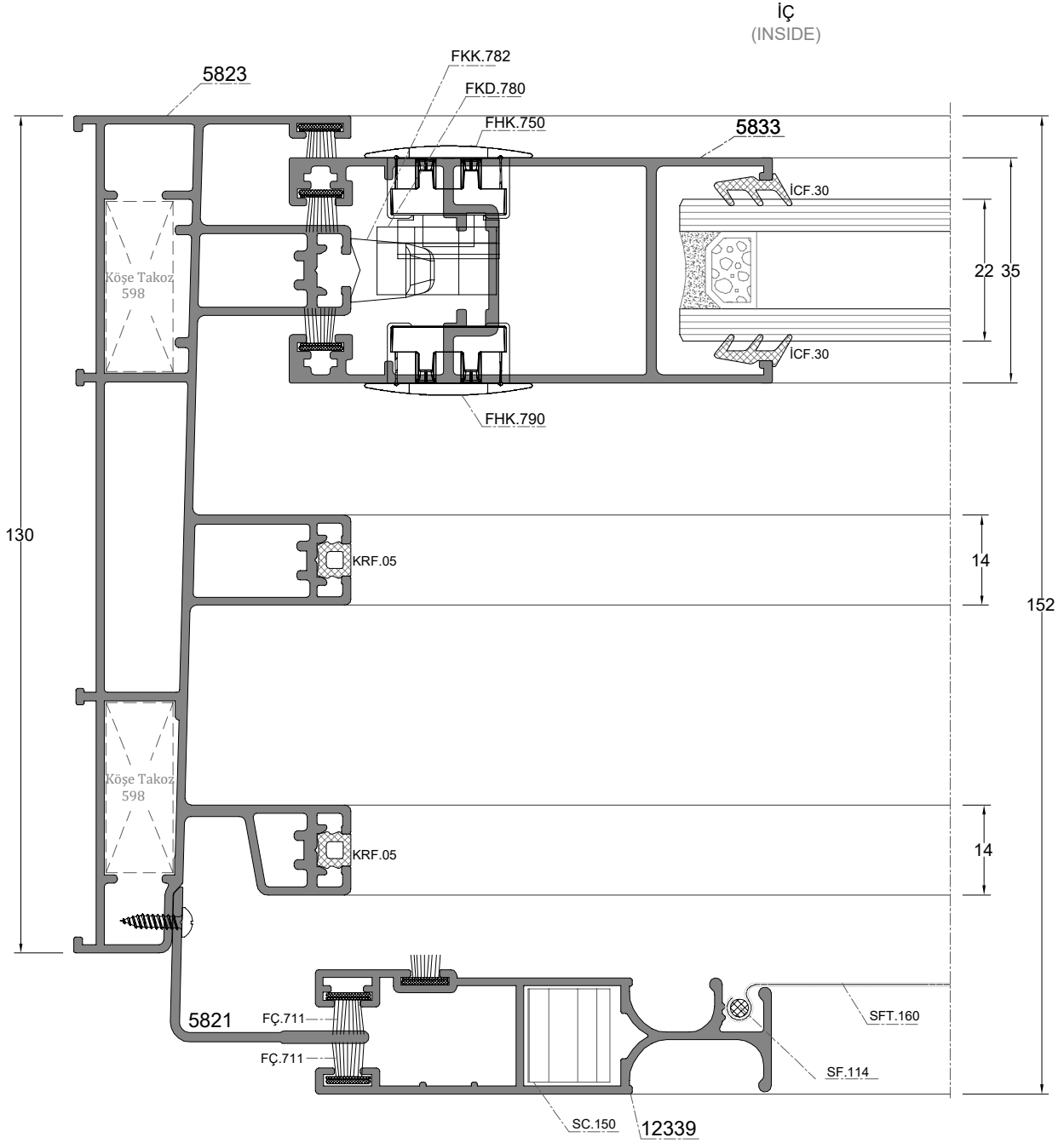
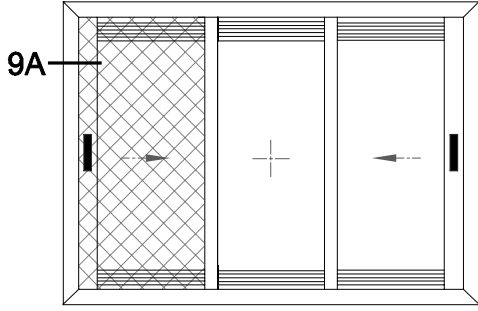
D-7



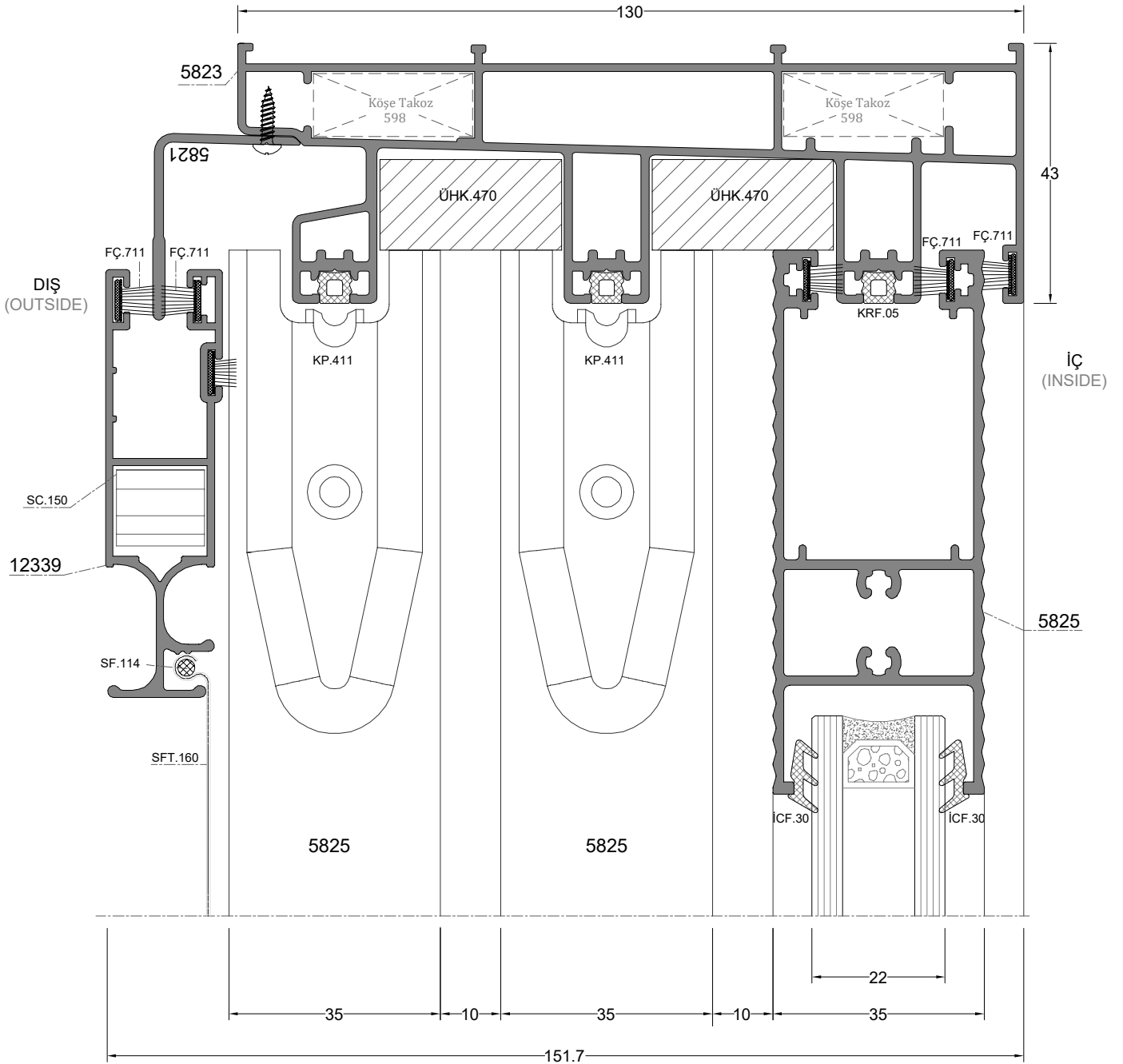
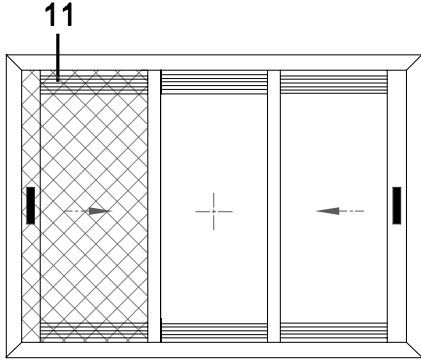
8



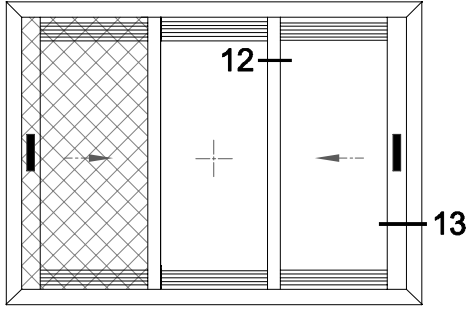




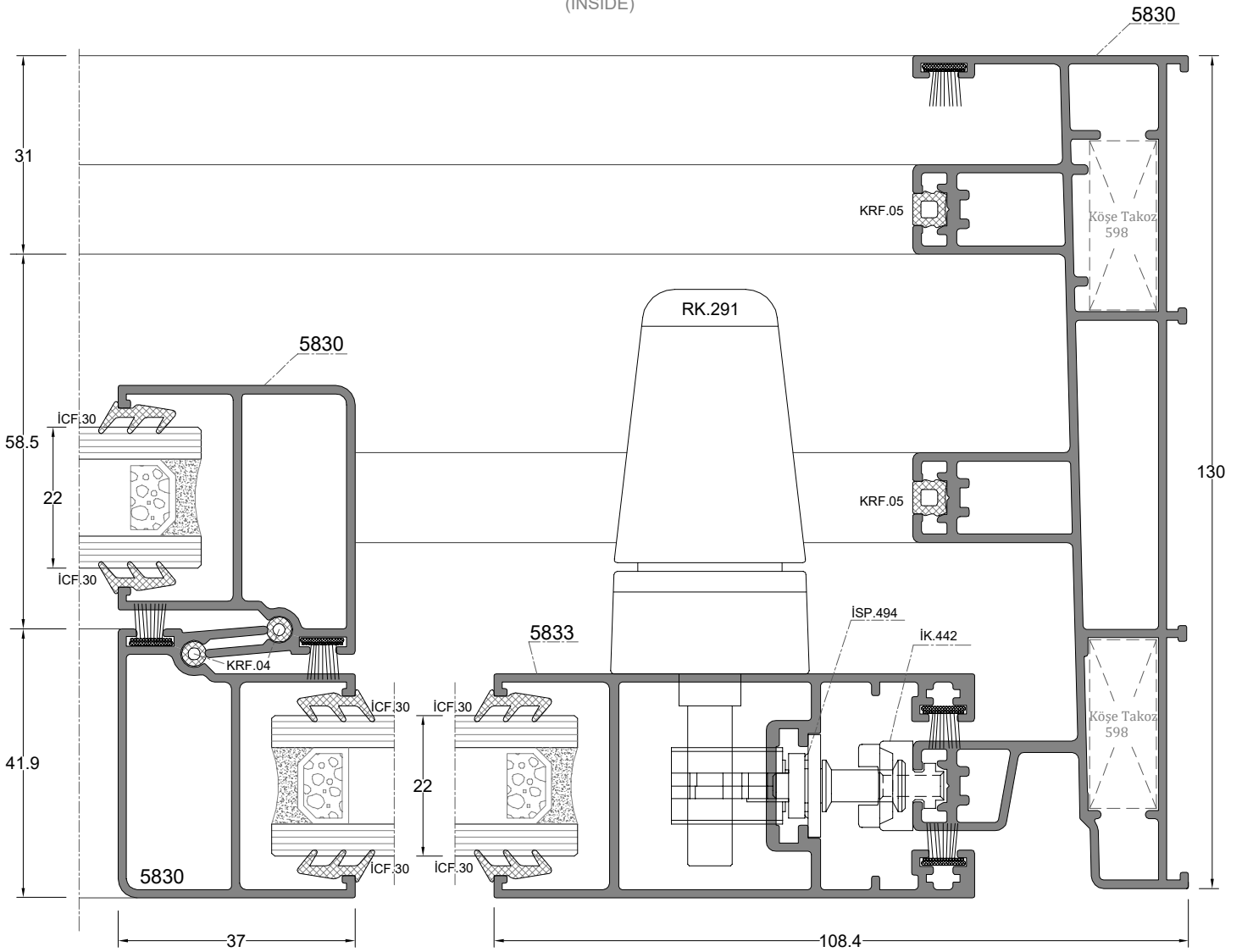
D-9A



D-11



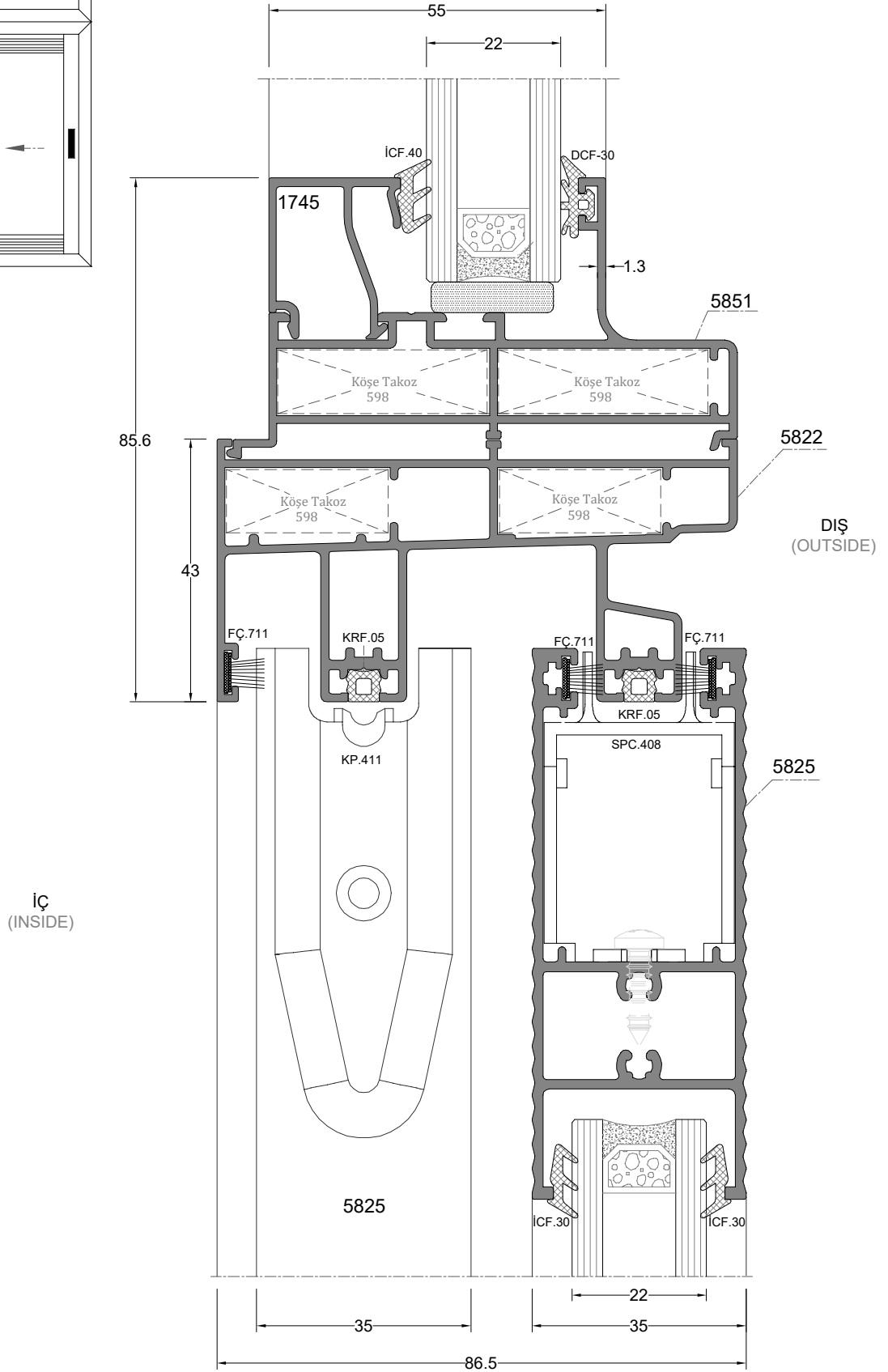
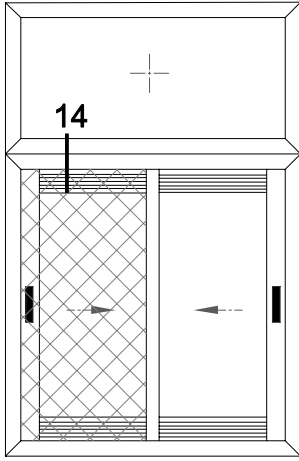
İÇ
(INSIDE)

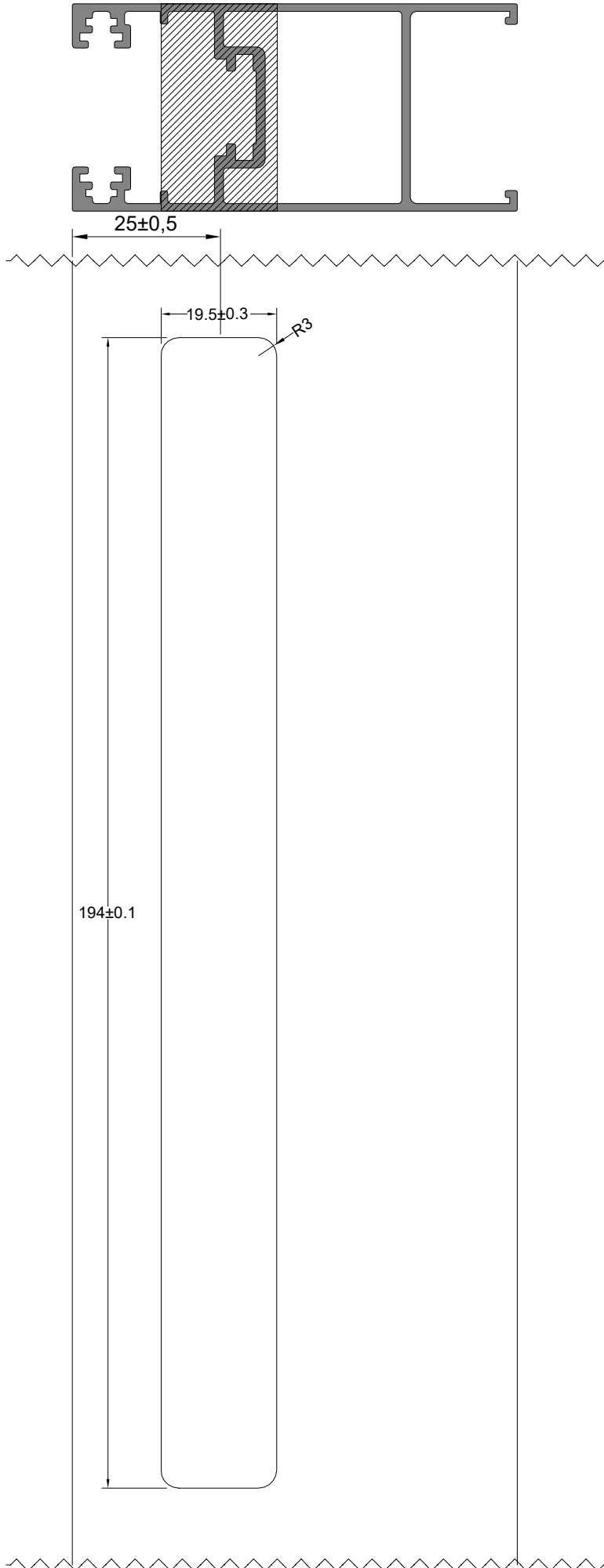


D-12

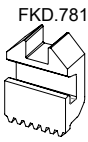
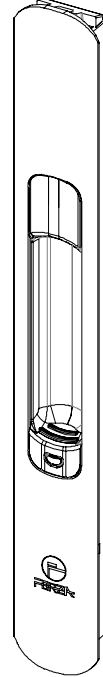
DIŞ
(OUTSIDE)

D-13



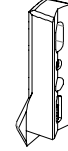


FKH.750

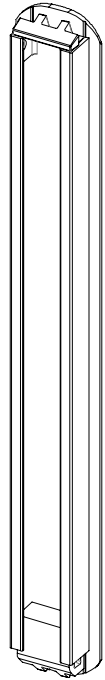


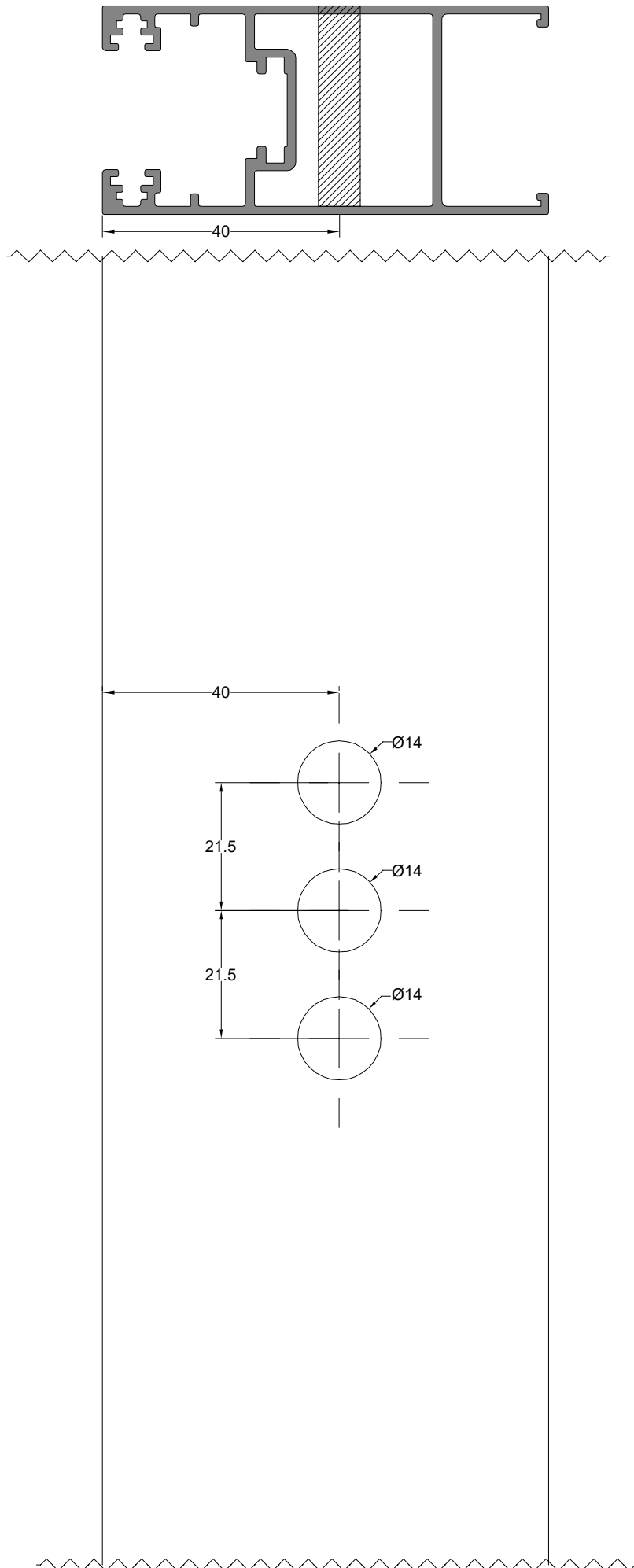
FKD.781

FKK.782

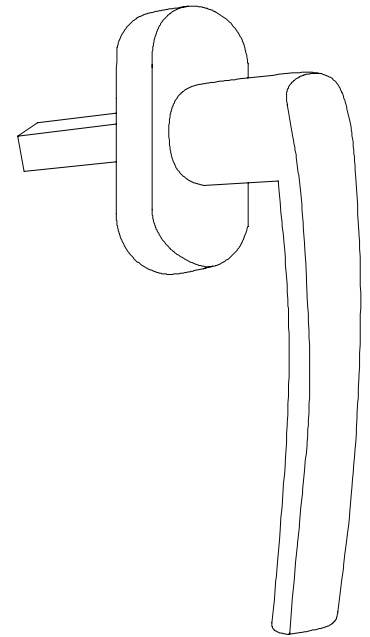


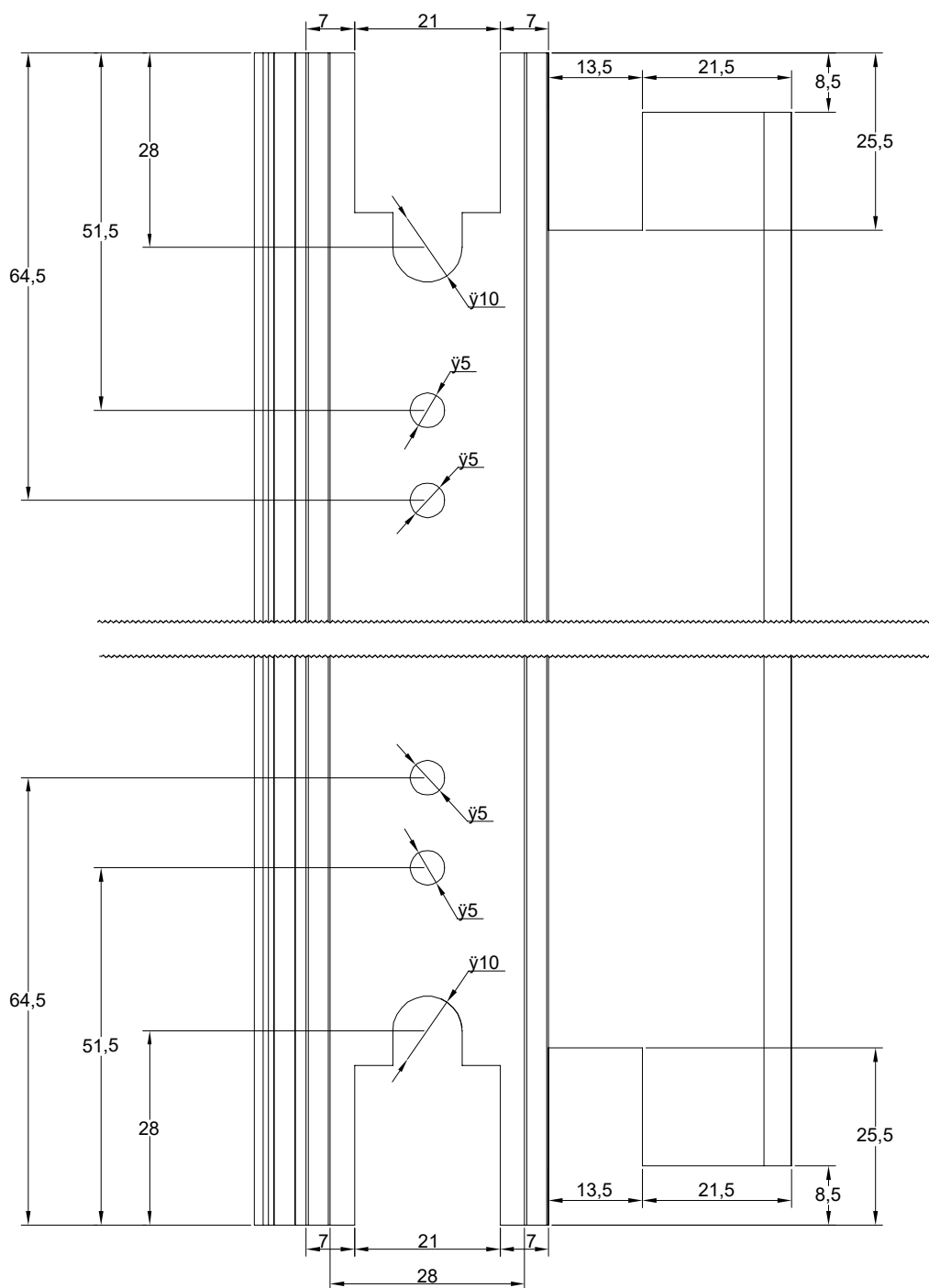
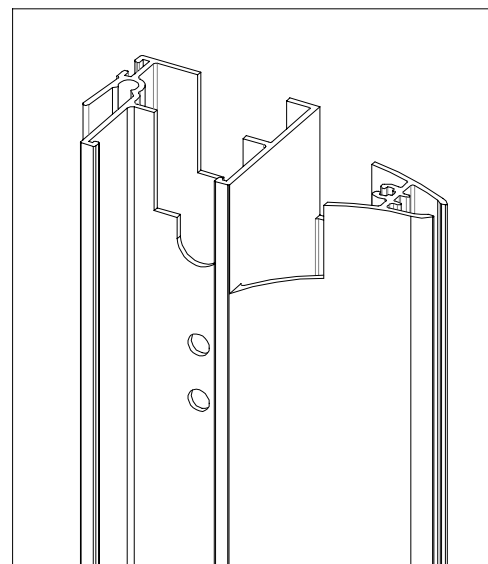
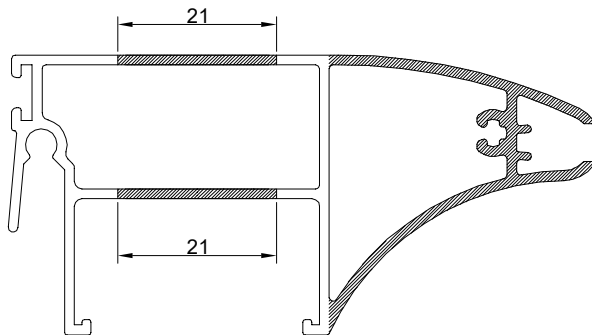
FPK.790



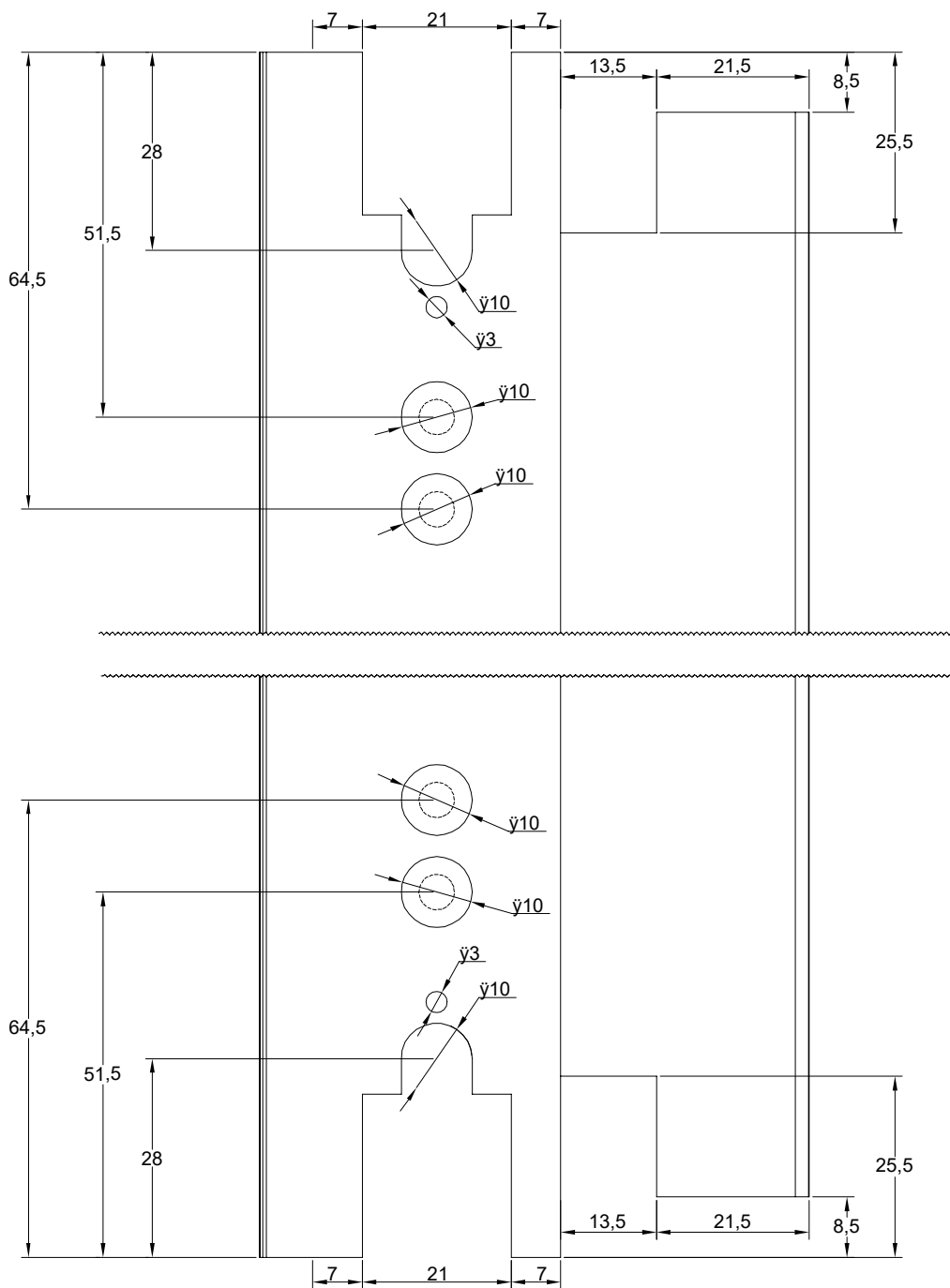
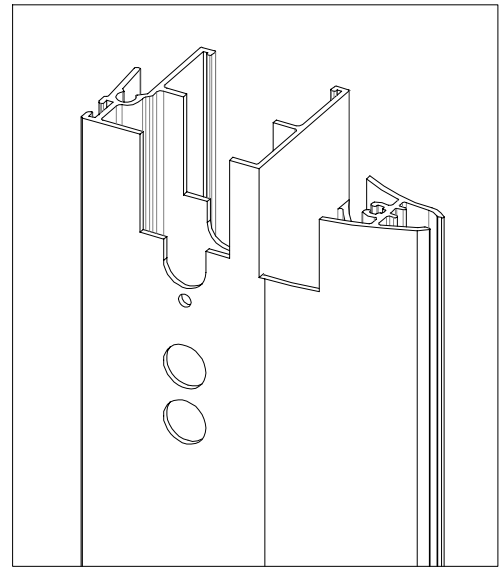
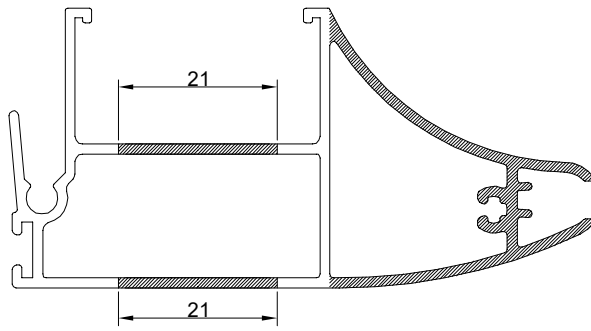


RK.291

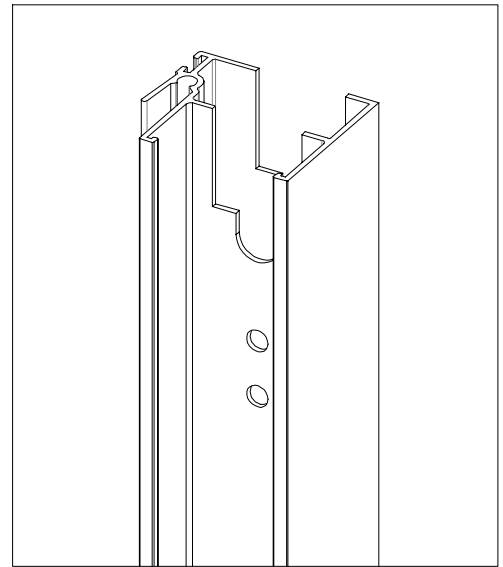
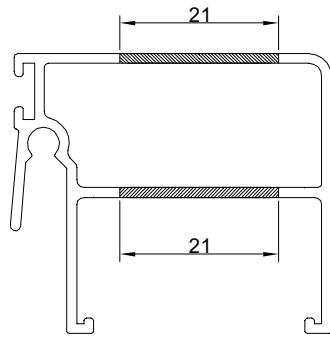




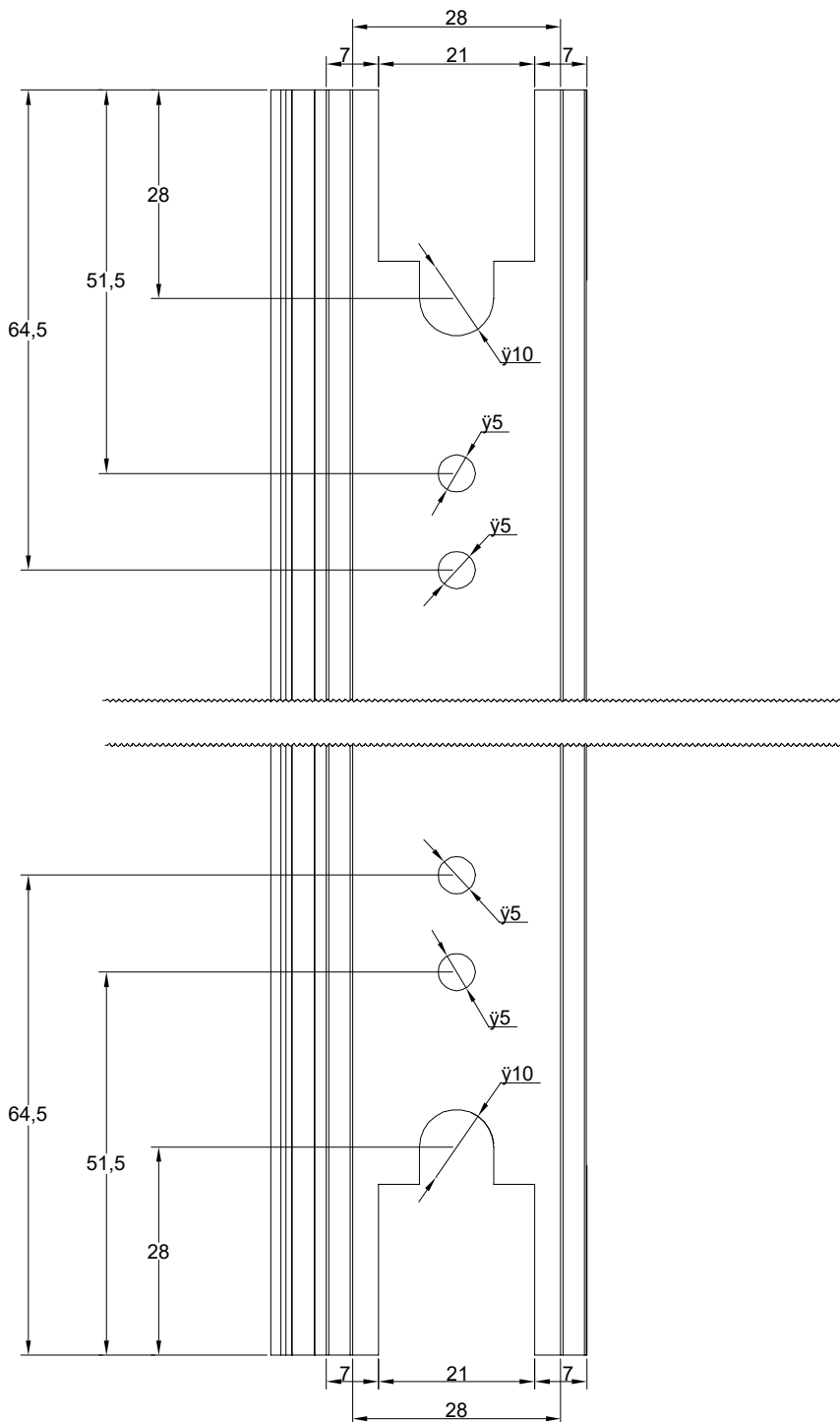
5831

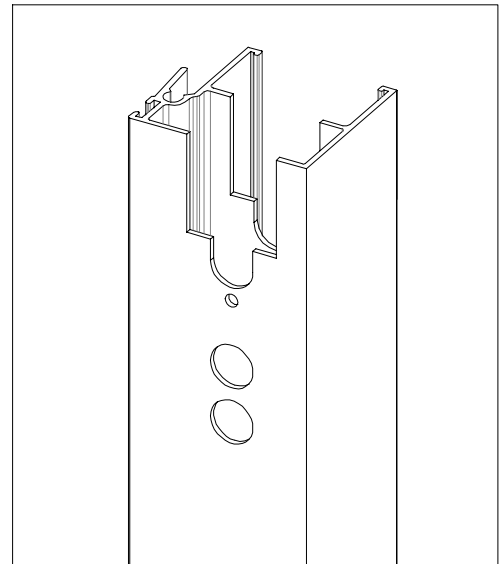
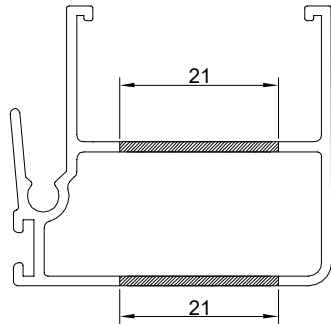


5831

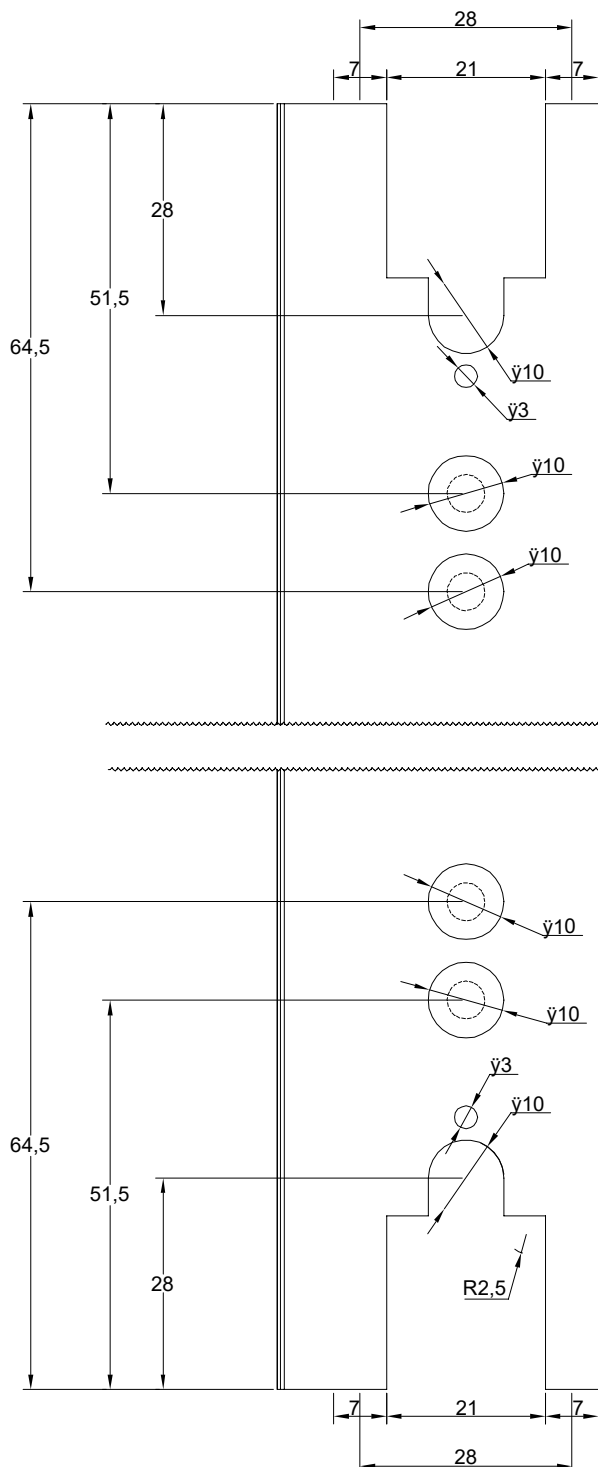


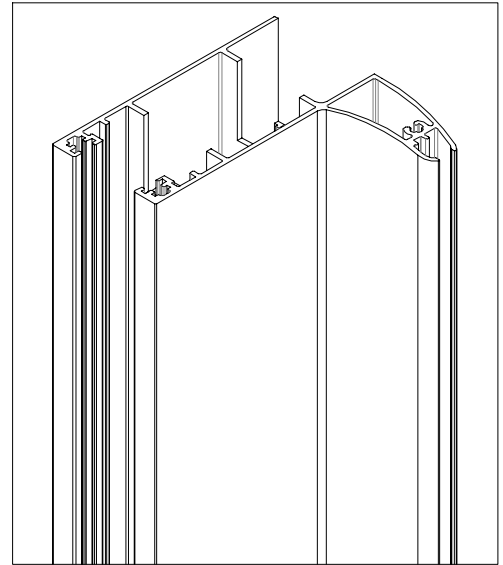
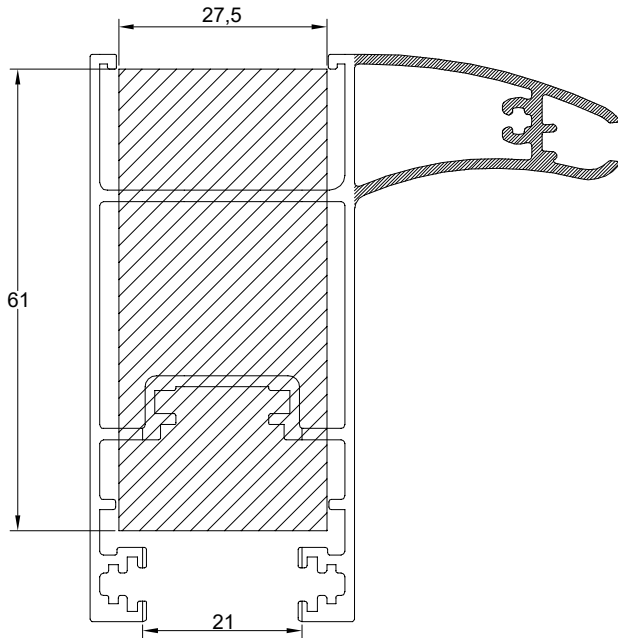
5831



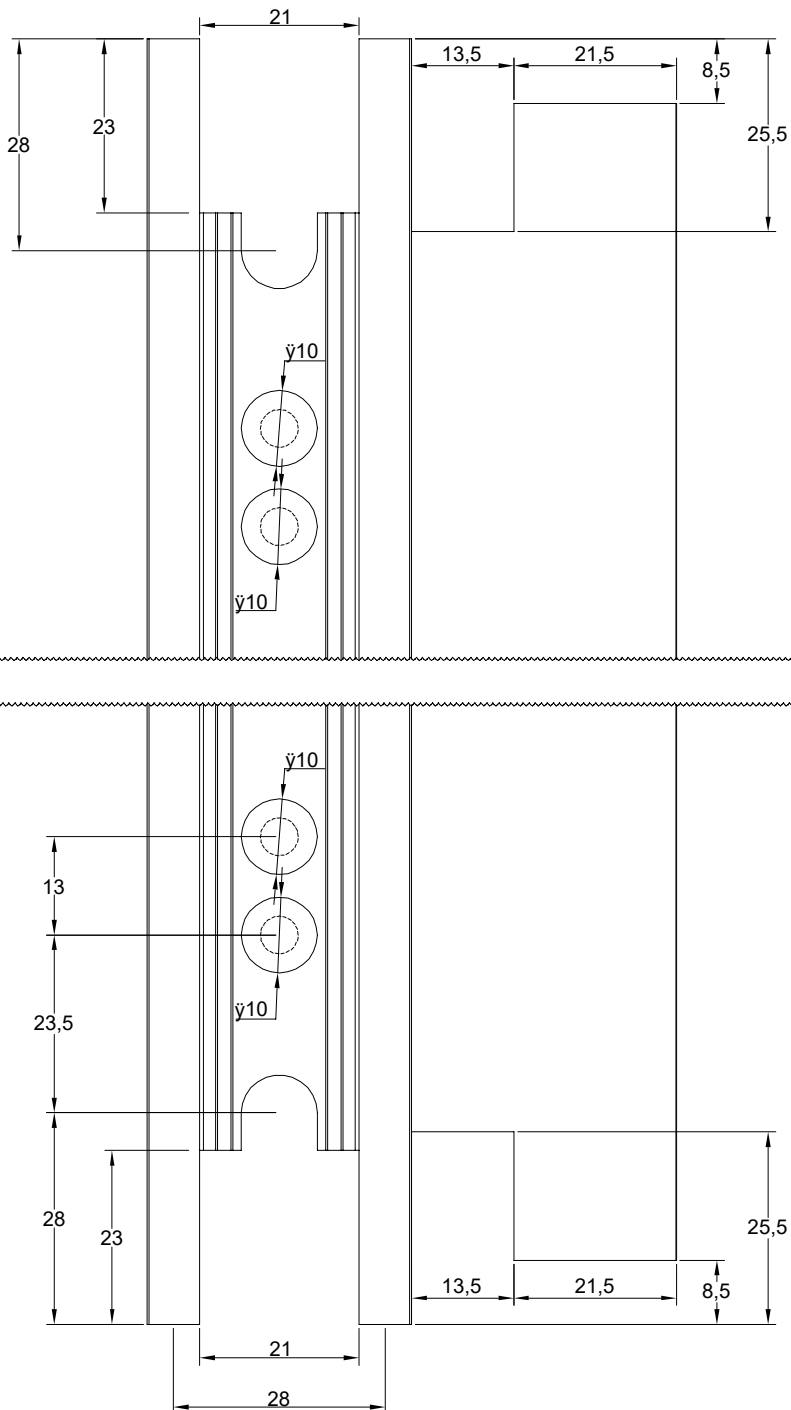


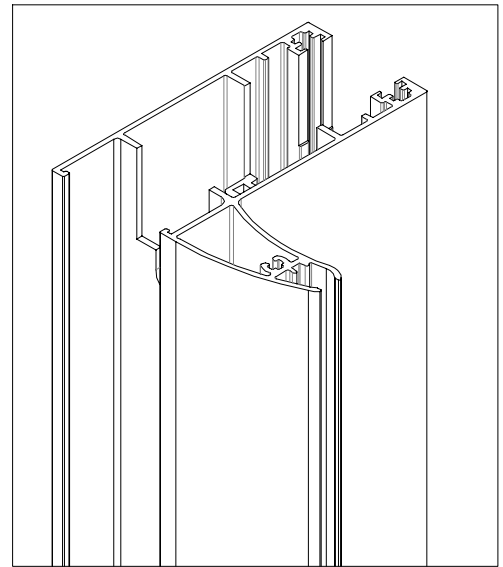
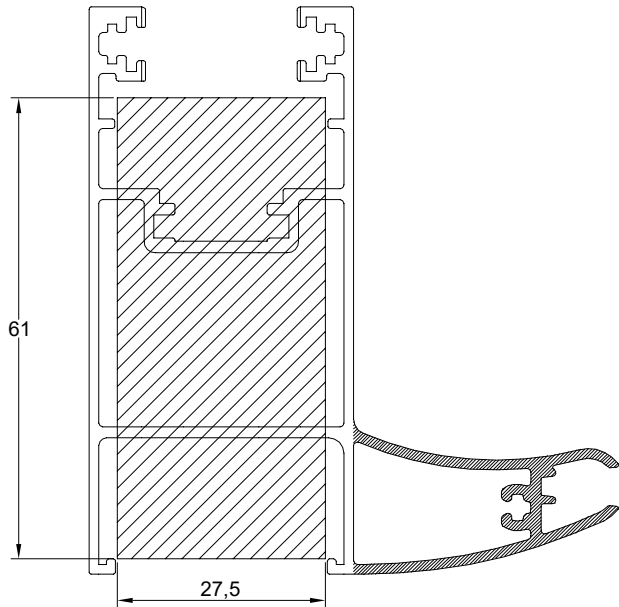
5831



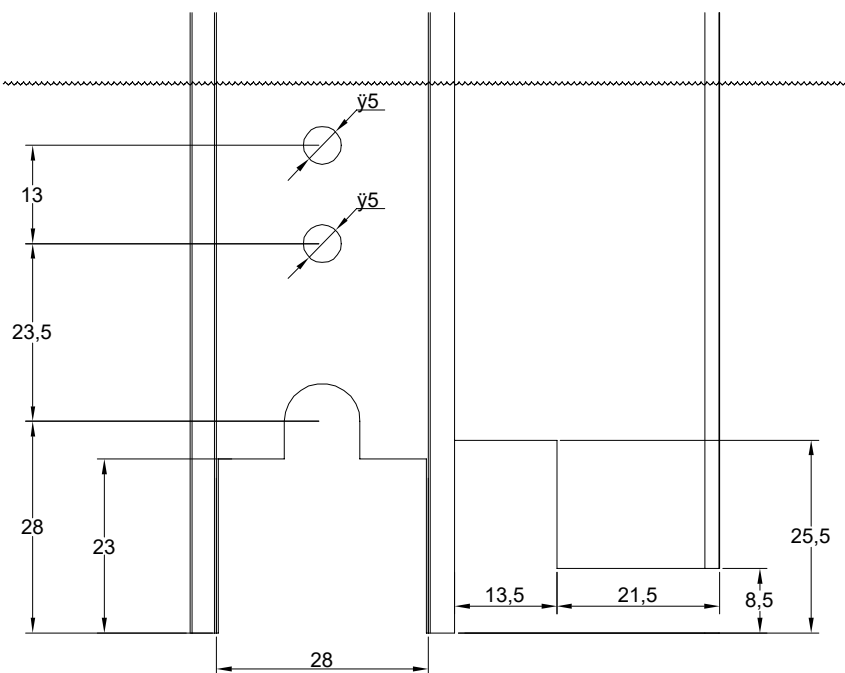
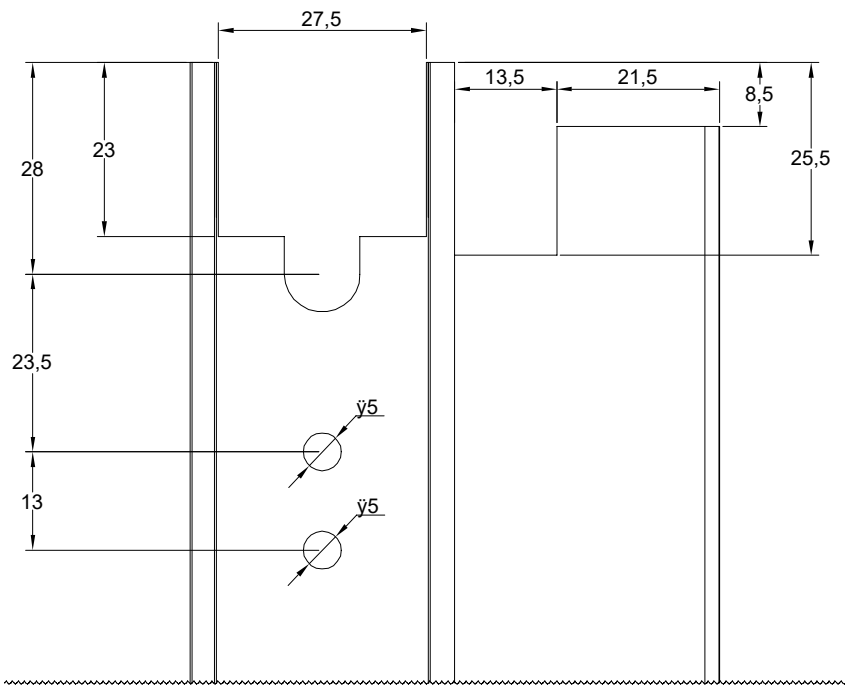


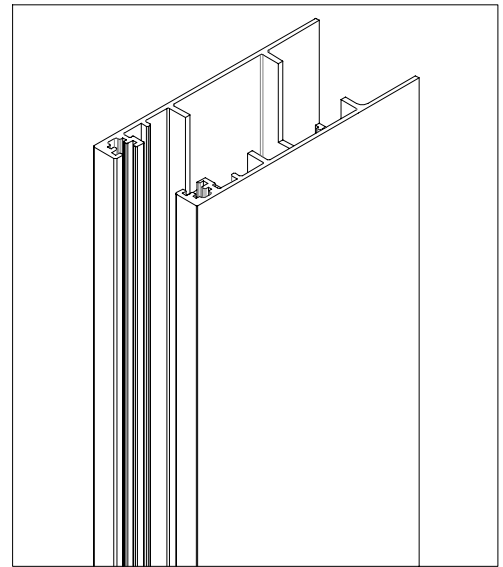
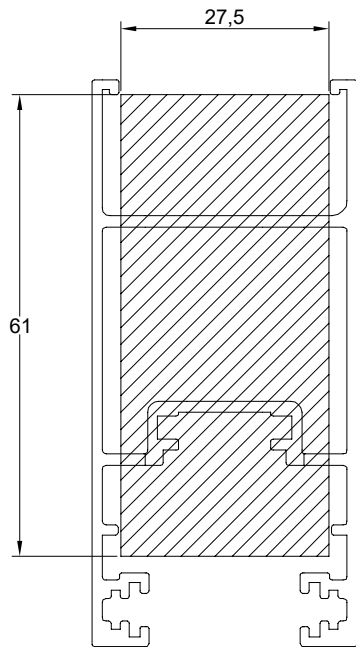
5834



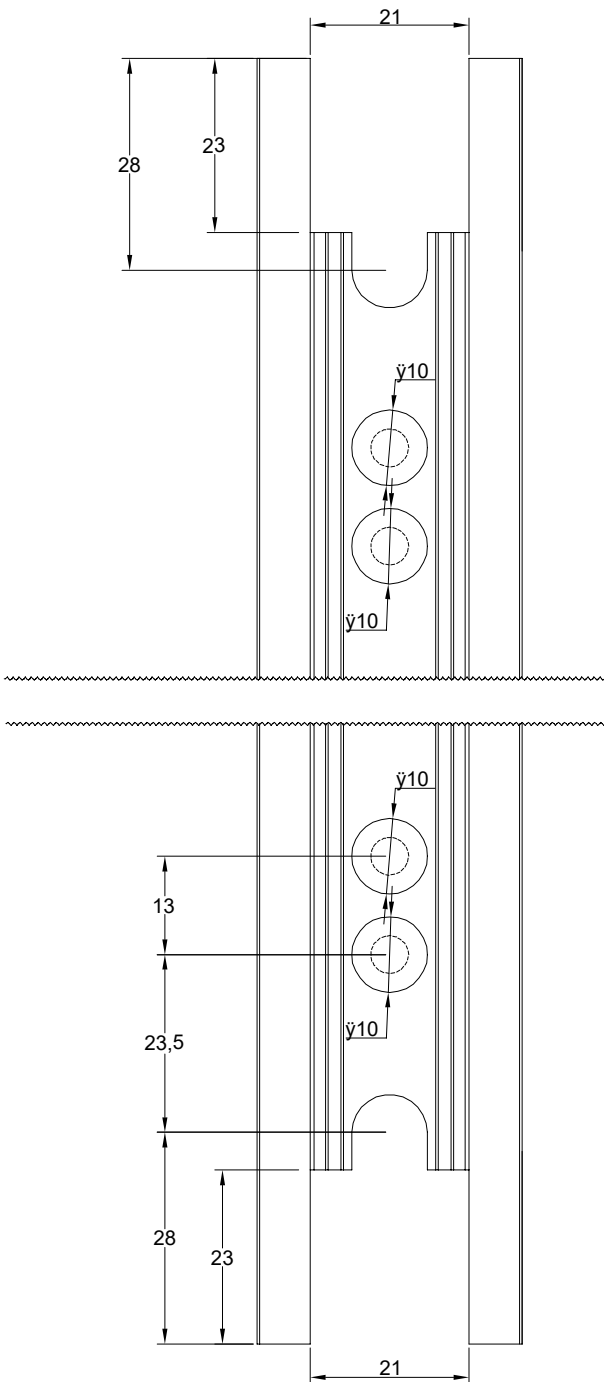


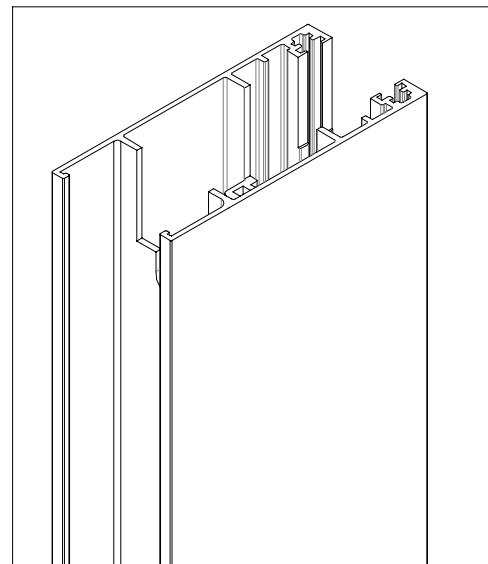
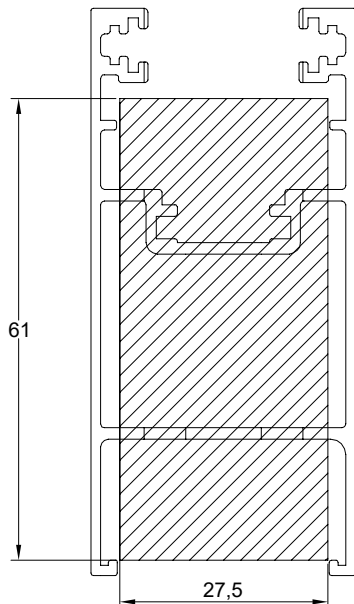
5834



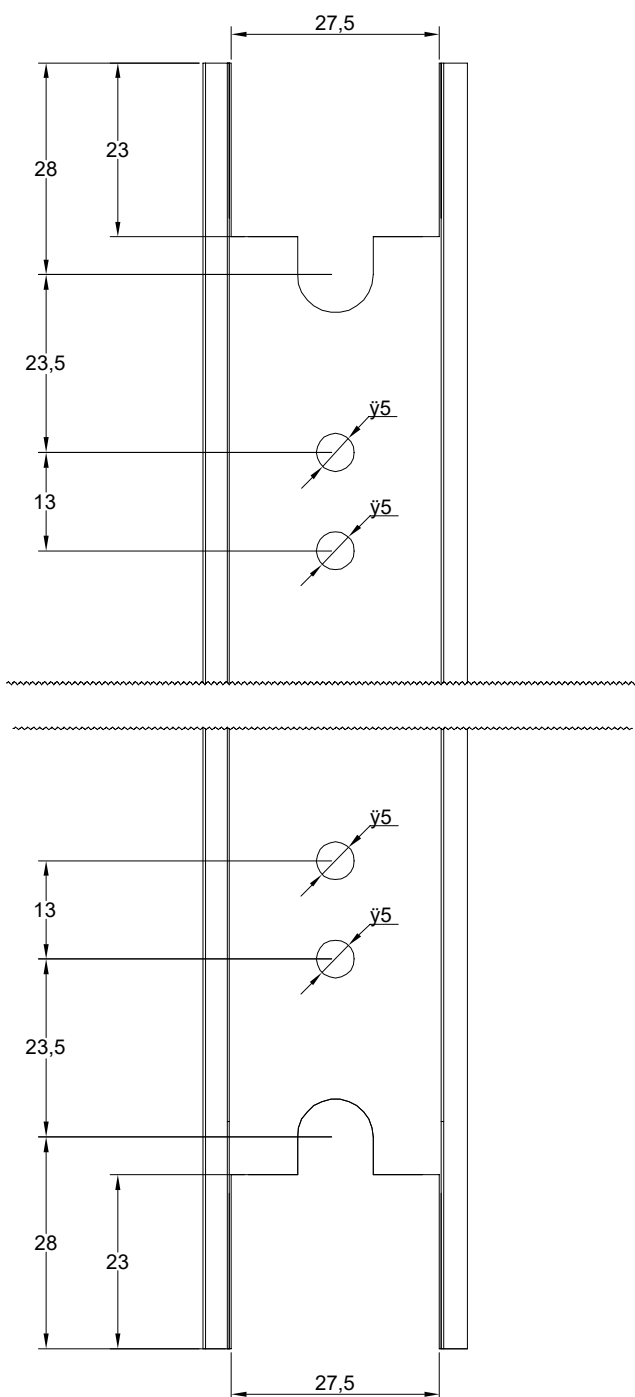


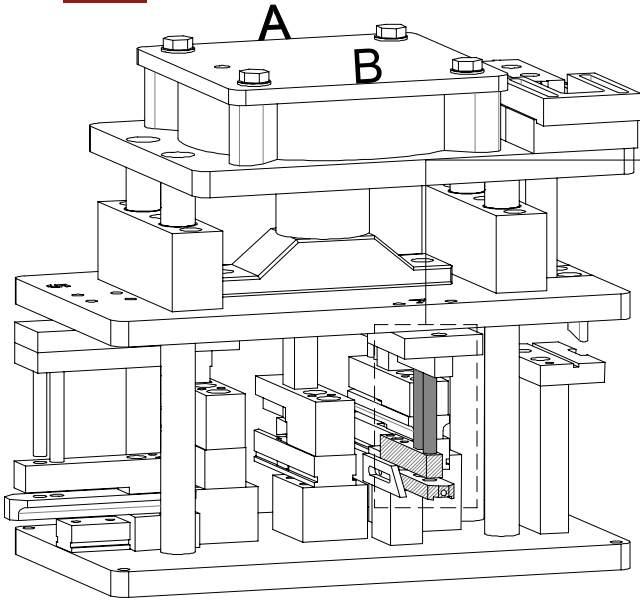
5833



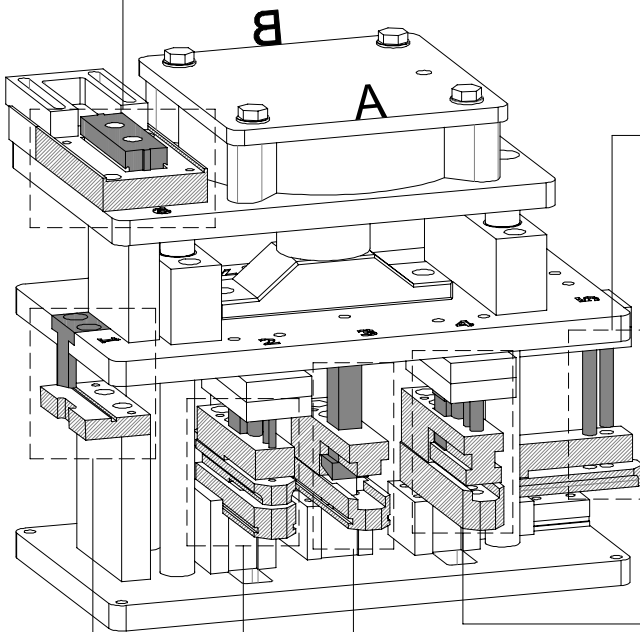
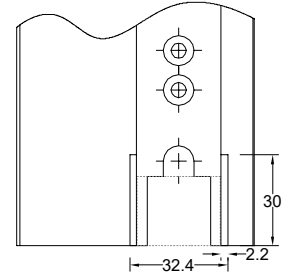
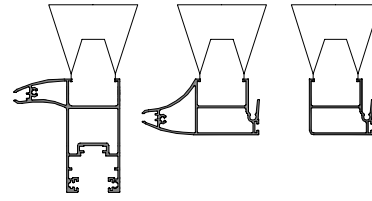


5833

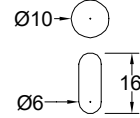
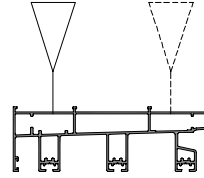




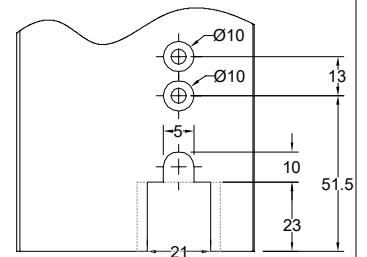
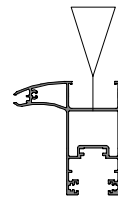
7



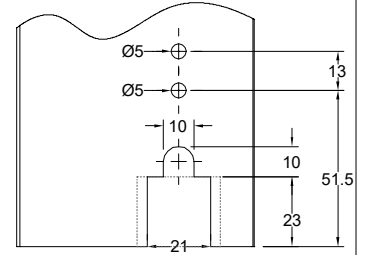
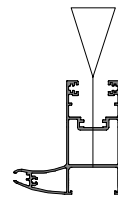
6



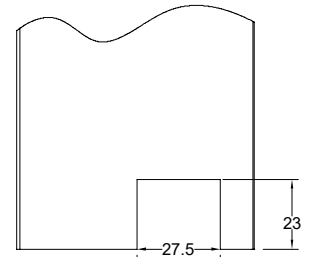
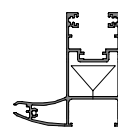
5



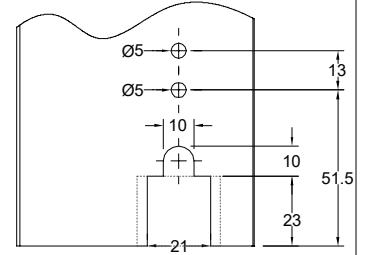
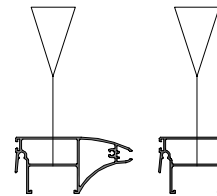
4



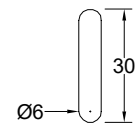
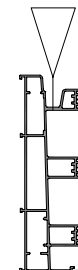
3



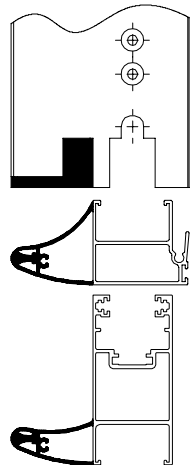
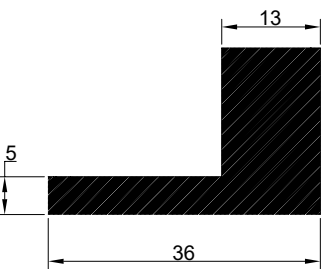
2

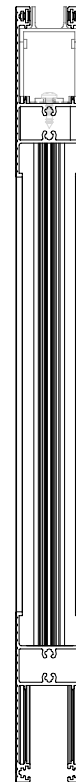
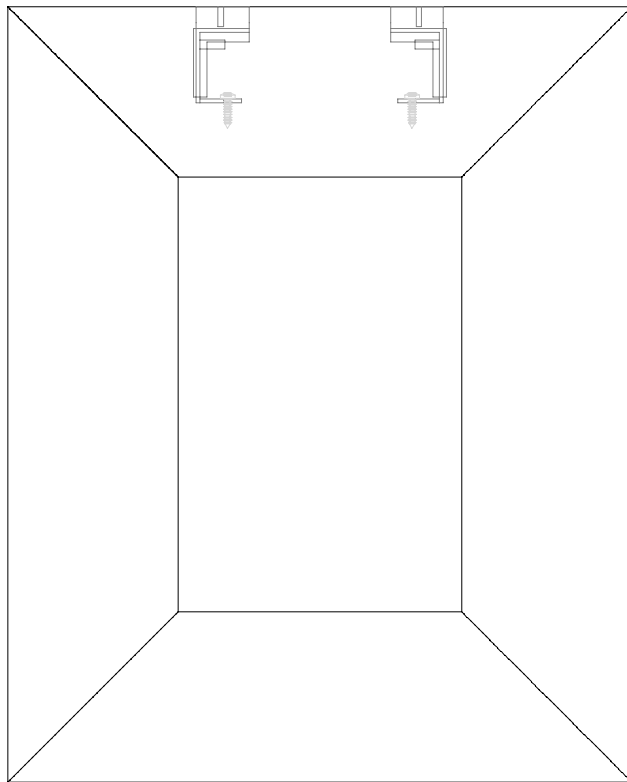


1

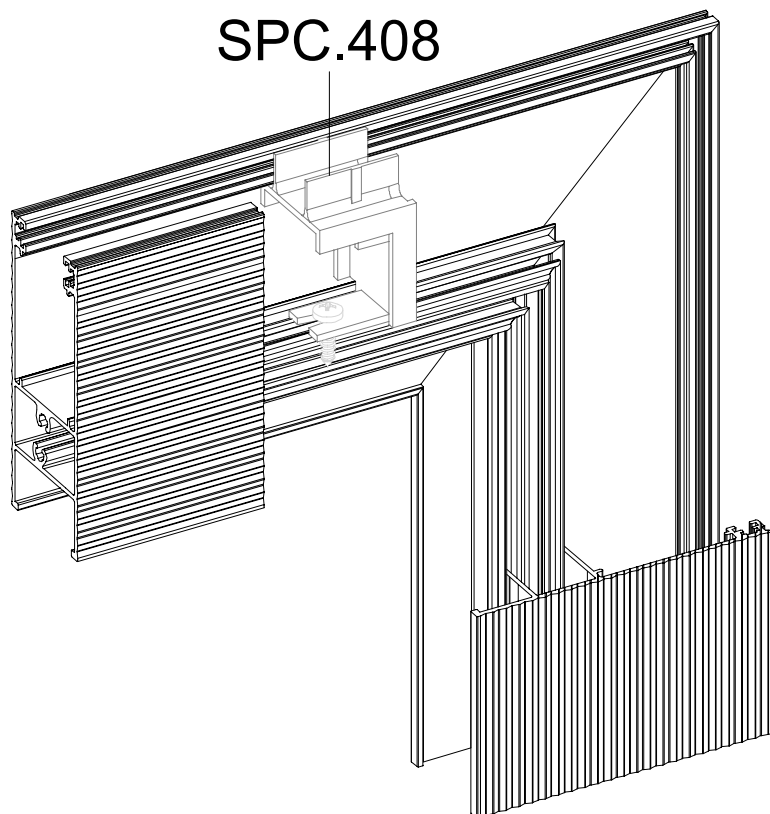


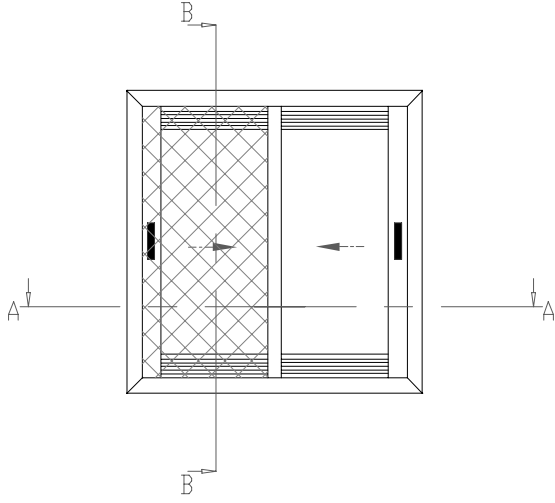
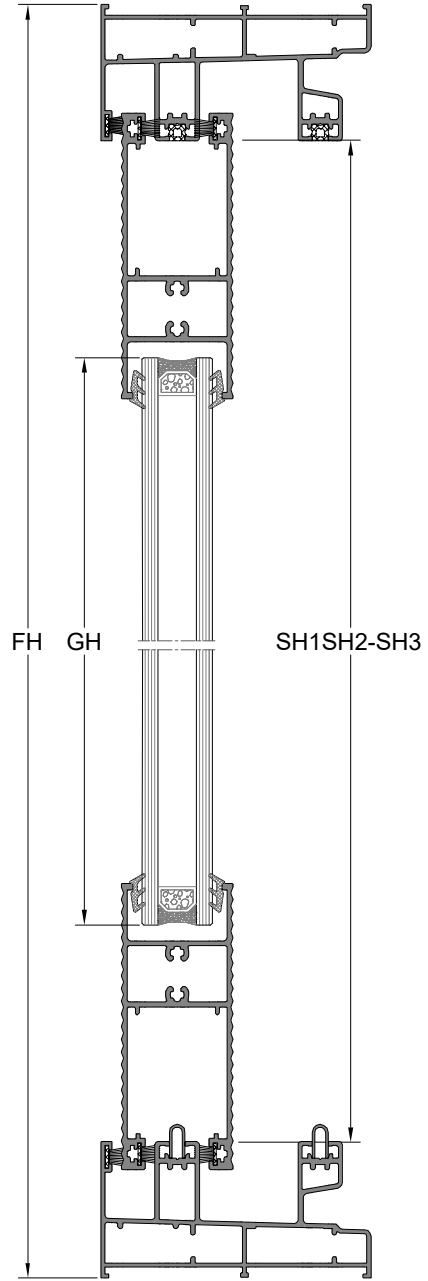
CNC DETAYI





SPC.408



**B-B KESİTİ****PROFİLLER / PROFILES**

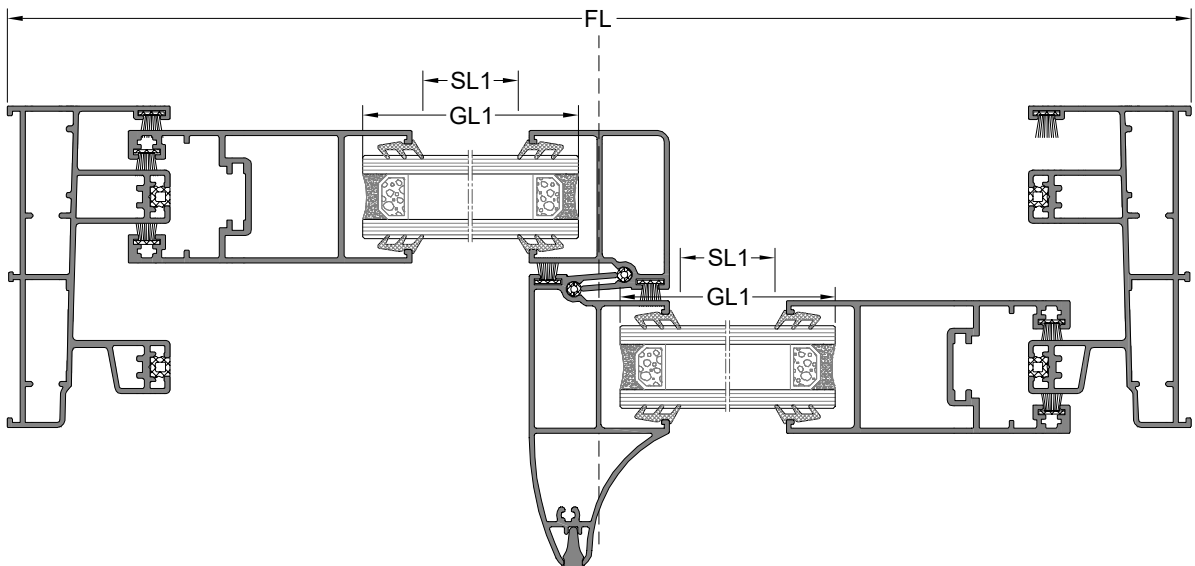
Kod Code	Çizim Drawing	Kesim Cut	Miktar Quantity	Ölçüler Dimensions
5822 Kasa Frame			2 Pcs / Adet	FL
			2 Pcs / Adet	FH
5833 Kanat Sash			2Pcs / Adet	SH1=FH-74,4
5830 Kanat Sash			1Pcs / Adet	SH2=FH-74,4
5831 Kanat Sash			1Pcs / Adet	SH3=FH-74,4
5825 Kanat Sash			4Pcs / Adet	SL1= (FL/2)-132

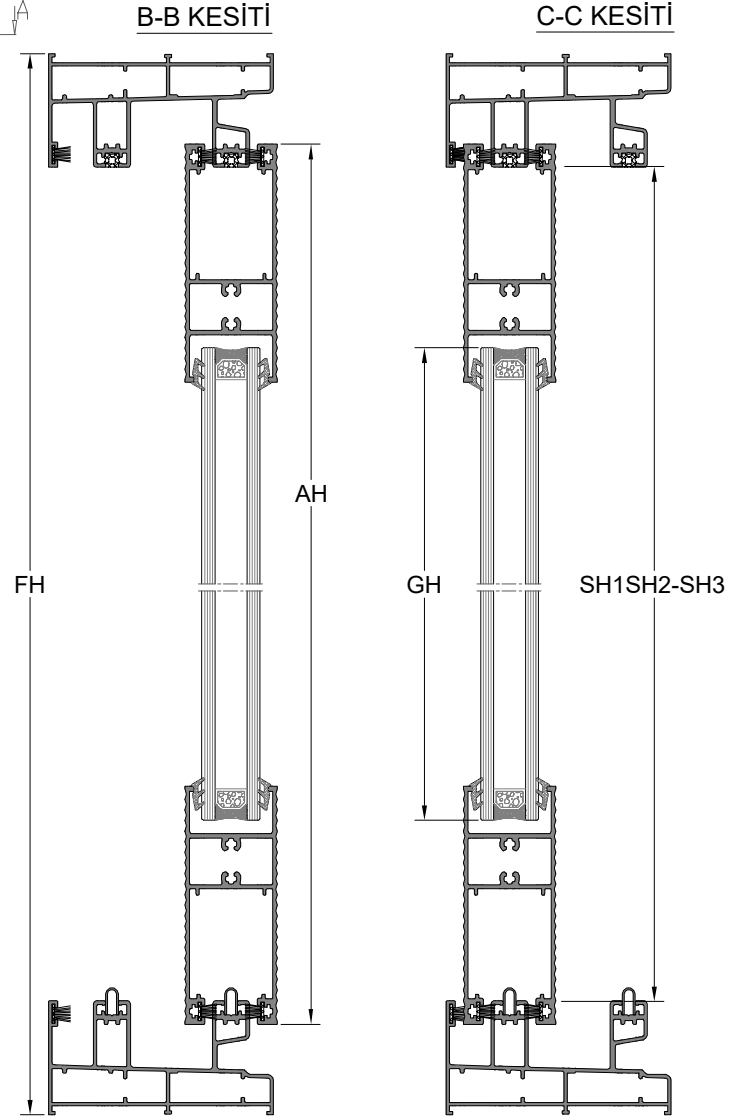
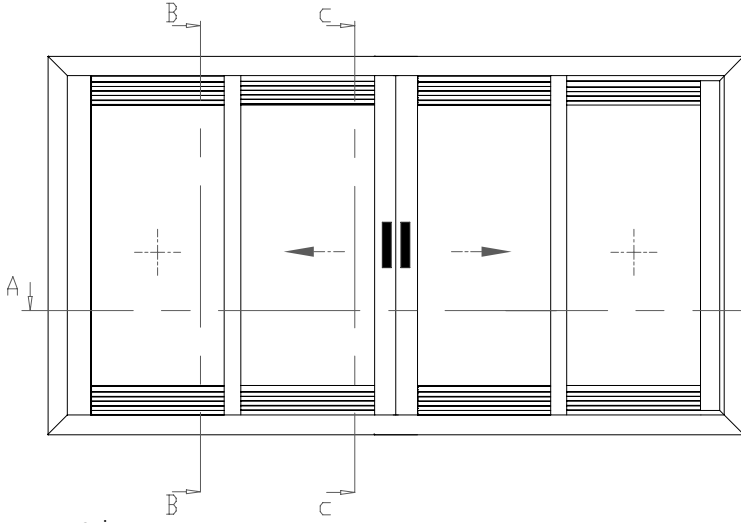
CAM / GLASS

Kod Code	Çizim Drawing	Miktar Quantity	Ölçüler Dimensions
CAM GLASS		2 Pcs / Adet	GL1 = (FL/2)-100
			GH = FH-222

CAM ÖLÇÜLERİ EŞİT KABUL EDİLEREK
FORMULİZE EDİLMİŞTİR.

GLASS DIMENSIONS ARE
FORMULATED, ACCEPT EQUAL.

A-A KESİTİ


PROFİLLER / PROFILES

Kod Code	Çizim Drawing	Kesim Cut	Miktar Quantity	Ölçüler Dimensions
5822 Kasa Frame			2 Pcs / Adet	FL
			2 Pcs / Adet	FH
5833 Kanat Sash			4Pcs / Adet	SH1= FH-74,4
5830 Kanat Sash			2Pcs / Adet	SH2= FH-74,4
5831 Kanat Sash			2Pcs / Adet	SH3= FH-74,4
5825 Kanat Sash			8Pcs / Adet	SL1= (FL/4)-117
5832 Adaptör Adapter			1Pcs / Adet	AH= FH-95

CAM / GLASS

Kod Code	Çizim Drawing	Miktar Quantity	Ölçüler Dimensions
CAM GLASS		4 Pcs / Adet	GL1 = (FL/4)-85
			GH = FH-222

CAM ÖLÇÜLERİ EŞİT KABUL EDİLEREK
FORMULİZE EDİLMİŞTİR.

GLASS DIMENSIONS ARE
FORMULATED, ACCEPT EQUAL.

A-A KESİTİ
